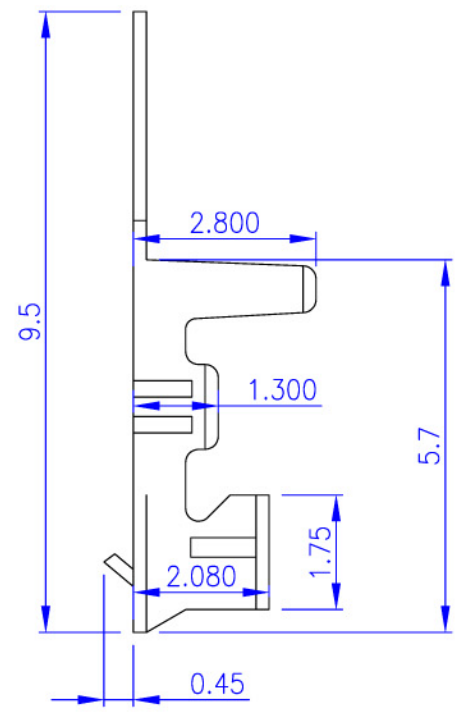
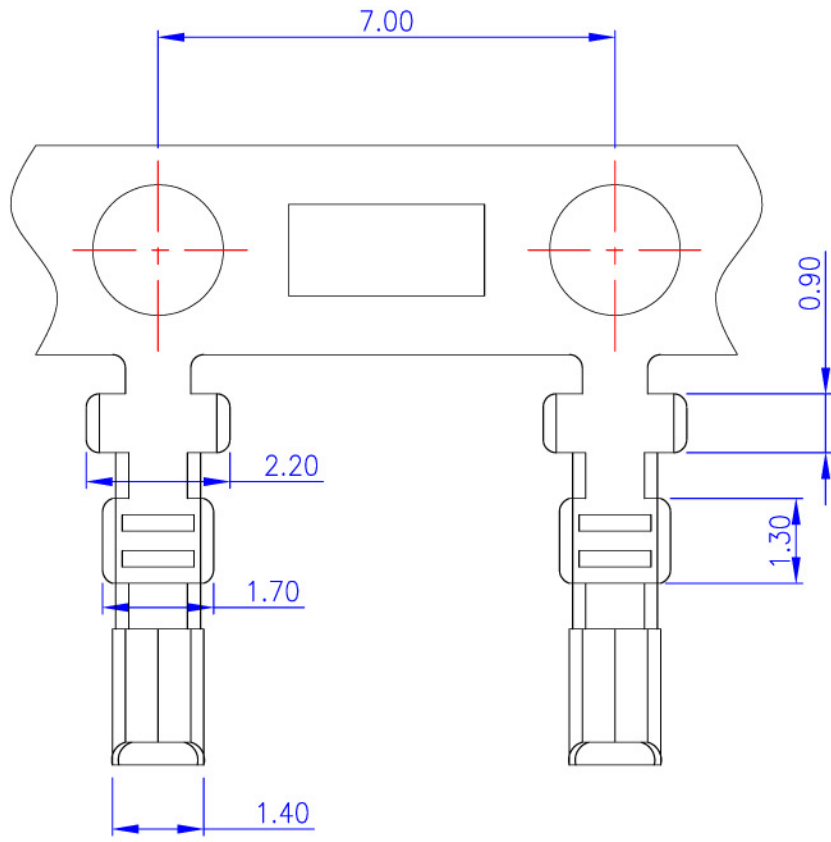


Rev.	Date	Description
A	2005/07/01	New Drawing



Material and Finish	Electrical Characteristics	Mechanical Characteristics	Tolerance	Scale	Unit	Drawn By	Checked By	Approved By
1. Terminal: Phosphor Bronze, Tin Plating. 2. Wire Range: #28-#32 AWG.	1. Current Rating: 2.0 Amp. Max. 2. Voltage Rating: 125V AC/DC. 3. Contact Resistance: 30m Ohms Max.	1. Operating Temperature: -25°C ~ +85°C	0.0 ±0.30 0.00 ±0.20 0.000 ±0.10	1:1	mm	<i>Naosei</i>	<i>Amanda</i>	<i>Alex</i>
			Drawing No. HD240501T					
			Title 2.00mm Wafer Connector Terminal (JST Type)					