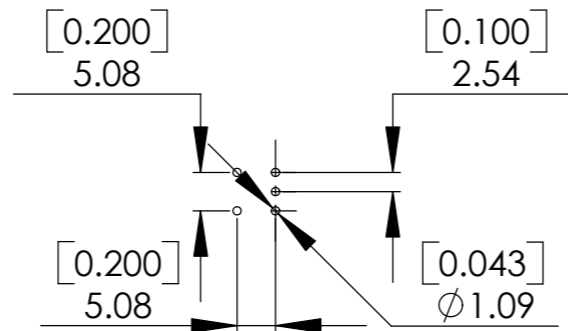
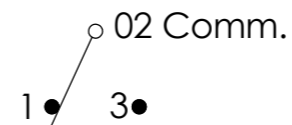


P.C. MOUNTING



Schematic



Model NO.	TYPE		
	DS-12M	ON	NONE
DS-12M-3	ON	OFF	ON
Tem. Comm.	2-1	OPEN	2-3

SPECIFICATIONS:

CONTACT RATING : 3 AMPS @ 120 V AC or 28 V DC.
 1AMPS @250 V AC or 0.4VA AMPS @ 20V AC or DC
 ELECTRICAL LIFE : 30,000 make-and-break cycles at full load.
 CONTACT RESISTANCE : 10 mΩ max. initial @ 2-4 V DC.
 100 mA, for both silver and gold plated contacts.
 INSULATION RESISTANCE : 1,000 MΩ min.
 DIELECTRIC STRENGTH : 1,000 V RMS @ sea level.
 OPERATING TEMPERATURE : -30 °C to 130 °C

MATERIALS:

CASE : Diallyl phthalate (DAP)(UL-94V-0).
 ACTUATOR : Nylon.
 HOUSING : Stainless steel.
 TERMINAL/CONTACT : Brass, with silver or gold plated.
 or gold over silver
 SWITCH SUPPORT : Brass, tin plated.

元錦企業有限公司 YUAN CHIN ENT. CO., LTD 台北縣板橋市信義路163巷7號8樓 8F, NO.7, LANE 163, SHIN YI RD., PANCHIAO CITY, TAIPEI HSIEN, TAIWAN, R.O.C. TEL:886-02-2951-9972, FAX:886-02-2952-1192			TOLERANCE
			XX. ± 0.5
			X. ± 0.2
ITEM NO		DATA	.X ± 0.2
CHECKED BY		DRAWN BY	.XX ± 0.2