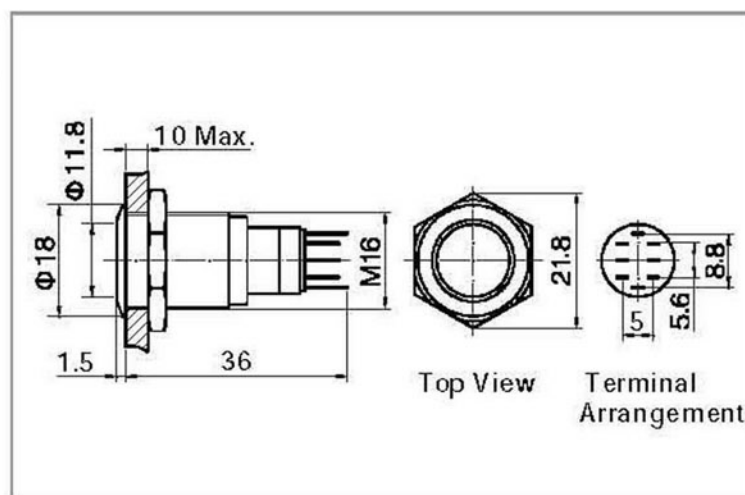


METAL PUSHBUTTONS

PUSH BUTTON SWITCH



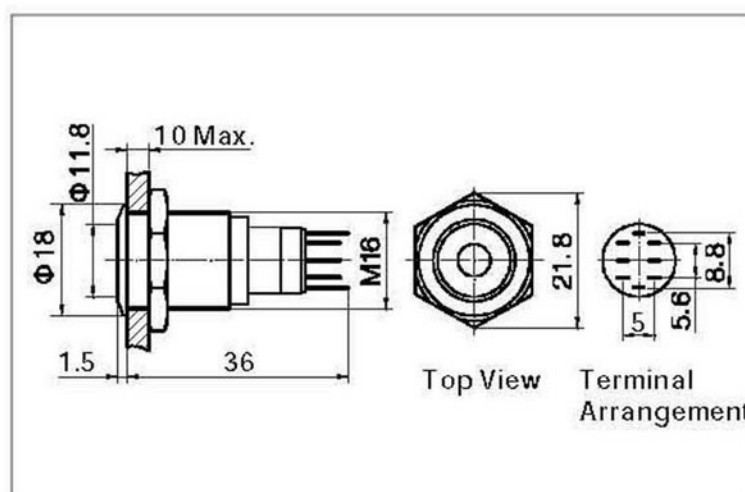
- ⊙ Φ 16mm diameter
- ⊙ 3A/250VAC
- ⊙ 1NO1NC/2NO2NC
- ⊙ Front Shape: Flat Round
- ⊙ Crust material: Stainless Steel/
Brass (Nikel Plated, Gold Plated)
- ⊙ IP Degree: IP 40/IP 67



DOT ILLUMINATED PUSHBUTTON



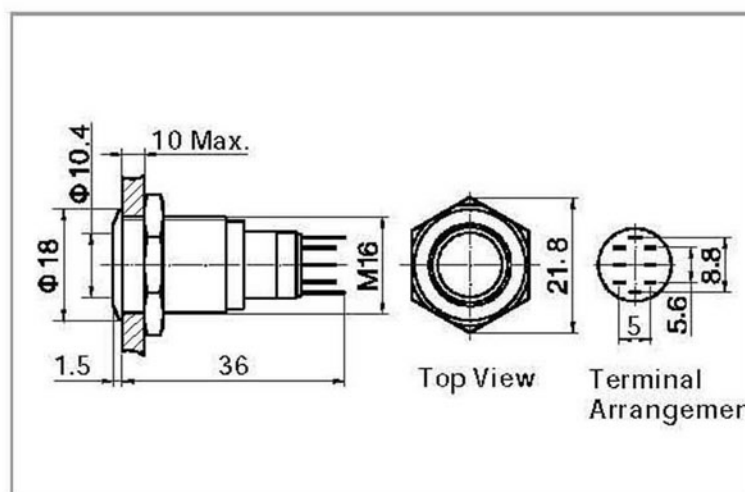
- ⊙ Φ 16mm diameter
- ⊙ 3A/250VAC
- ⊙ 1NO1NC/2NO2NC
- ⊙ Front Shape: Flat Round
- ⊙ Crust material: Stainless Steel/
Brass (Nikel Plated, Gold Plated)
- ⊙ Dot Illuminated
- ⊙ IP Degree: IP 40/IP 67



RING ILLUMINATED PUSHBUTTON



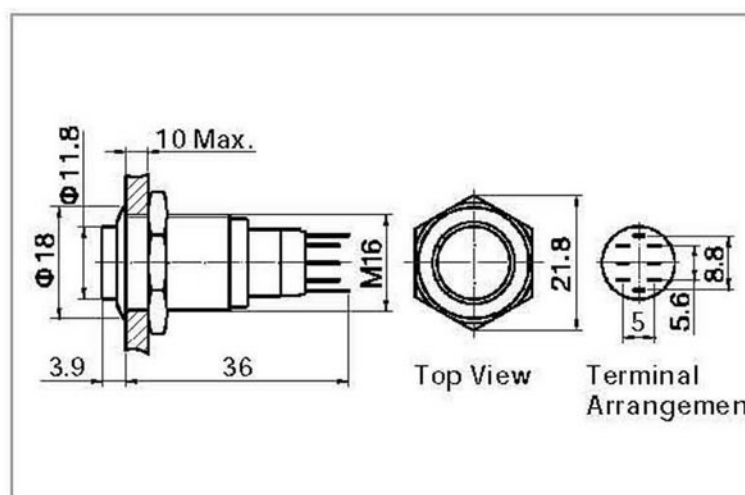
- ⊙ Φ 16mm diameter
- ⊙ 3A/250VAC
- ⊙ 1NO1NC/2NO2NC
- ⊙ Front Shape: Flat Round
- ⊙ Crust material: Stainless Steel/
Brass (Nikel Plated, Gold Plated)
- ⊙ Ring Illuminated
- ⊙ IP Degree: IP 40/IP 67



PUSH BUTTON SWITCH



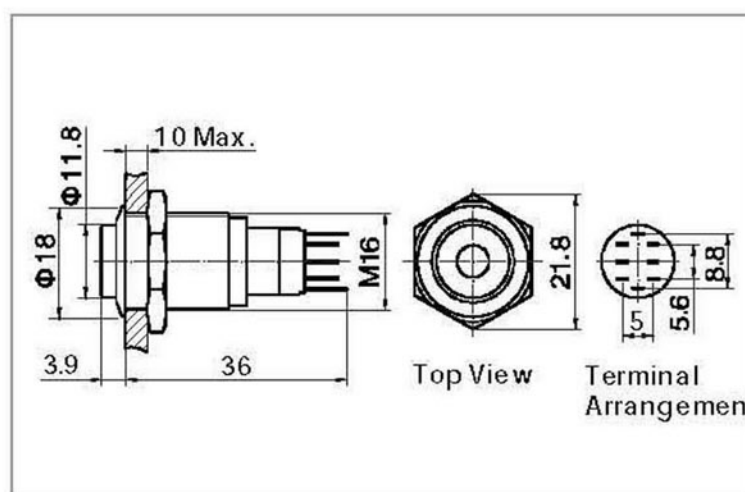
- ⊙ Φ 16mm diameter
- ⊙ 3A/250VAC
- ⊙ 1NO1NC/2NO2NC
- ⊙ Front Shape: High Round
- ⊙ Crust material: Stainless Steel/
Brass (Nikel Plated, Gold Plated)
- ⊙ IP Degree: IP 40/IP 67



DOT ILLUMINATED PUSHBUTTON

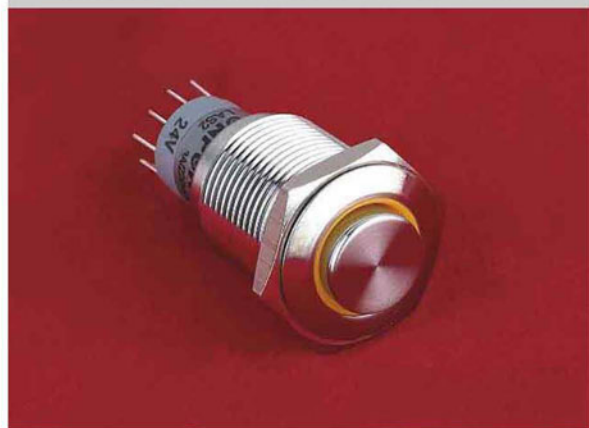


- ⊙ Φ 16mm diameter
- ⊙ 3A/250VAC
- ⊙ 1NO1NC/2NO2NC
- ⊙ Front Shape: High Round
- ⊙ Crust material: Stainless Steel/
Brass (Nikel Plated, Gold Plated)
- ⊙ Dot Illuminated
- ⊙ IP Degree: IP 40/IP 67

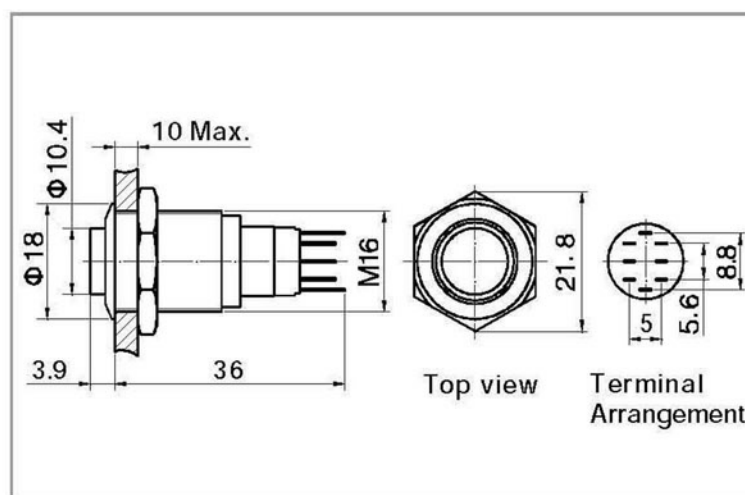


METAL PUSHBUTTONS

RING ILLUMINATED PUSHBUTTON



- ⊙ Φ 16mm diameter
- ⊙ 3A/250VAC
- ⊙ 1NO1NC/2NO2NC
- ⊙ Front Shape:High Round
- ⊙ Crust material:Stainless Steel/
Brass(Nikel Plated,Gold Plated)
- ⊙ Ring Illuminated
- ⊙ IP Degree:IP40/IP67



Specification				
The Front Shape	Flat Round High Round	Flat Round High Round	Flat Round High Round	Flat Round High Round
Terminal Type	Pin Terminal(1.8×0.4mm)	Pin Terminal(1.8×0.4mm)	Pin Terminal(1.8×0.4mm)	Pin Terminal(1.8×0.4mm)
Switching	No.3	No.3	No.3	No.3
Max.Switch Rating	3A/250VAC	3A/250VAC	3A/250VAC	3A/250VAC
Contact Resistance	$\leq 50m\Omega$	$\leq 50m\Omega$	$\leq 50m\Omega$	$\leq 50m\Omega$
Insulation Resistance	$\geq 1000M\Omega$	$\geq 1000M\Omega$	$\geq 1000M\Omega$	$\geq 1000M\Omega$
Dielectric Strength	2000VAC	2000VAC	2000VAC	2000VAC
Operation Temp.	-20°C ~ +70°C	-20°C ~ +70°C	-20°C ~ +70°C	-20°C ~ +70°C
Mechanical Life	1,000,000cycles	1,000,000cycles	1,000,000cycles	1,000,000cycles
Electrical Life	50,000 cycles	50,000 cycles	50,000 cycles	50,000 cycles
Contact Material	Silver Alloy	Silver Alloy	Silver Alloy	Silver Alloy
Panel Thickness	1 ~ 10mm	1 ~ 10mm	1 ~ 10mm	1 ~ 10mm
Torque	5 ~ 14Nm	5 ~ 14Nm	5 ~ 14Nm	5 ~ 14Nm
Operation Temp.	5.5N	5.5N	5.5N	5.5N
IP Degree	IP40/IP67	IP40/IP67	IP40/IP67	IP40/IP67
Material	Button	Stainless Steel/Brass(Nikel Plated,Gold Plated)	Stainless Steel/Brass(Nikel Plated,Gold Plated)	Stainless Steel/Brass(Nikel Plated,Gold Plated)
	Body	Stainless Steel/Brass(Nikel Plated,Gold Plated)	Stainless Steel/Brass(Nikel Plated,Gold Plated)	Stainless Steel/Brass(Nikel Plated,Gold Plated)
	Base	PBT	PBT	PBT
	RoHS	Made to order	Made to order	Made to order
LED Spec.	Type	Without Lamp	Dot Illuminated(LED)	Ring Illuminated(LED)
	Rated Voltage	---	6V / 12V / 24V / 110V / 220V	6V / 12V / 24V / 110V / 220V
	Color	---	R G Y O B W	R G Y O B W
	Life	---	40,000 hours	40,000 hours