

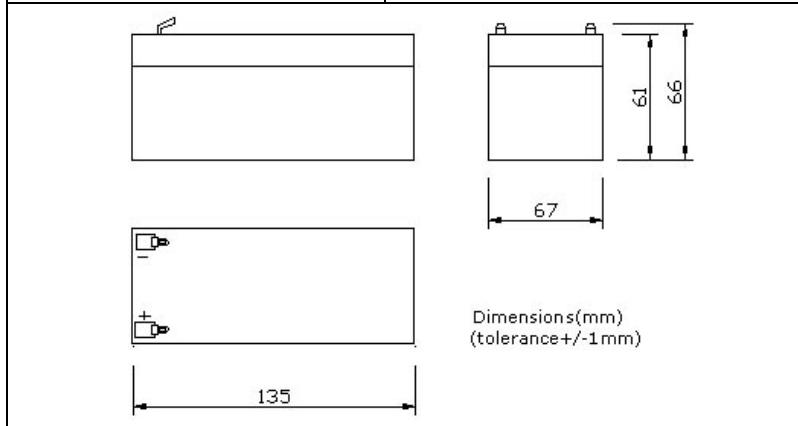
# EnergiVm

CE  MH 28269

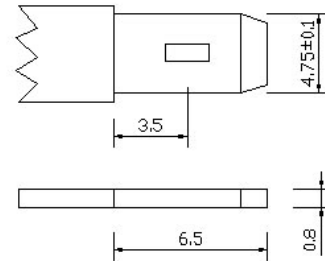
MV1232(12V3.2AH)

## PHYSICAL SPECIFICATION

Nominal Voltage Nominal Capacity (20HR)		12V 3.2Ah	
Dimension	Length	135±1mm	(5.31 inches)
	Width	67±1mm	(2.64 inches)
	Container Height	61±1mm	(2.40 inches)
	Total Height	66±1mm	(2.60 inches)
Weight		Approx. 1.33 Kg ( 2.93lbs)	
Standard Terminal		F1-Fasten Tab No.187E	



F1(Fasten Tab No.187E)  
Standard Terminal



## ELECTRICAL SPECIFICATION

Characteristics		
Capacity	20 hour rate (0.165A)	3.2Ah
	10 hour rate (0.297A)	3.13Ah
	5 hour rate (0.561A)	2.81Ah
	3 hour rate (0.825A)	2.48Ah
	1 hour rate (1.98A)	1.98Ah
Capacity affected by temperature	40°C (104 °F)	102%
	25°C (77 °F)	100%
	0°C (32 °F)	85%
Internal Resistance	Full charged battery (25°C,77 °F) 45mΩ	
Constant Voltage Charge	Cycle	Initial Charging Current less than 0.99A Voltage 14.4~15.0V at 25°C (77 °F) Temperature Coefficient -30mV/°C
	Standby	No limit on Initial Charging Current Voltage 13.5~13.8V at 25°C (77 °F) Temperature Coefficient -20mV/°C

### Discharge curves @ 25°C (77 ° F)

