



## Microrruptores ZIPPY

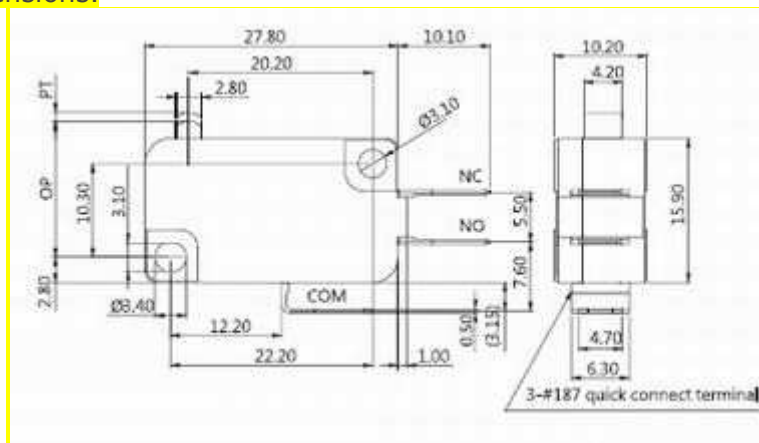


### Ratings :

26A 125/250VAC

### Dimension :

Unless otherwise specified, a tolerance of  $\pm 0.4\text{mm}$  applies to all dimensions.



### Specifications :

Operating Frequency (mechanical).....120 operations / mim

Operating Frequency (electrical).....10~30 operations / mim

Contact Resistance (initial).....300m  $\Omega$  (Max.)

Insulation Resistance (at 500VDC).....100M  $\Omega$  (Min.)

Dielectric Strength (50-60Hz).....1500VAC RMS

Storage Temperature.....-25°C to 85 °C

Storage Humidity.....At 40 °C,Max. 85% RH (Max.)

Service Life (mechanical).....Min. 10000000 operations

Service Life (electrical).....3A~26A Min. 10000 operations

Application :

Joysticks,TV Game,Time Recorder,Air Conditioner,Food Processor,

Juice Maker, Alarm, Mixer, Shredder Machine, Power Tool  
 Contact Configuration :



Ordering Information :

SERIES PREFIX	C O D E	RATING CURRENT	C O D E	OPERATING FORCE	C O D E	ACTUATOR LEVER FIXED	C O D E	ACTUATOR TYPE	C O D E	TERMINAL TYPE
V A 1	P1	0.1A;125/250 VAC	H	HEAVY	0		00		D	250 SERIES (C)
	03	3A;125/250 VAC	S	STANDARD	1		01			187 SERIES (D)
	06	6,6.1(2.5)A;125/250VAC	L	LIGHT	2		02			250 SERIES (E)
	10	10,10(4)A;125/250VAC	J	SLIGHT			03			250 SERIES (F)
	16	16.1,16(4);125/250VAC	D	LIGHTNESS			04			250 SERIES (G)
	20/H	20,20(4)A;125/250VAC					05			
	26/Q	26A;125/250 VAC					06			

# Microrruptores ZIPPY

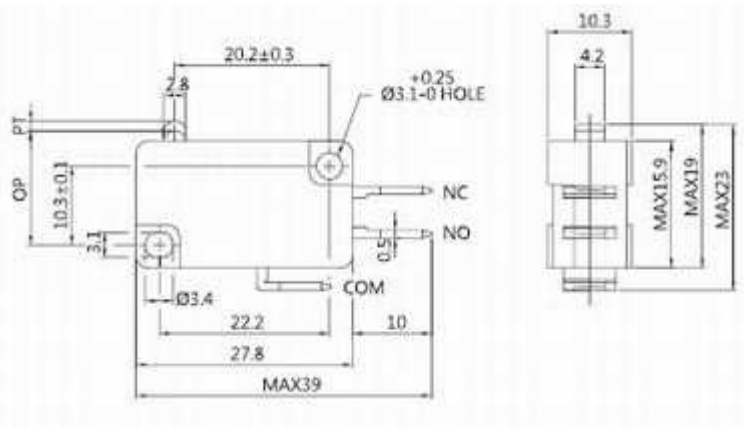


## Ratings :

5A 125/250VAC

## Dimension :

Unless otherwise specified, a tolerance of  $\pm 0.4\text{mm}$  applies to all dimensions.

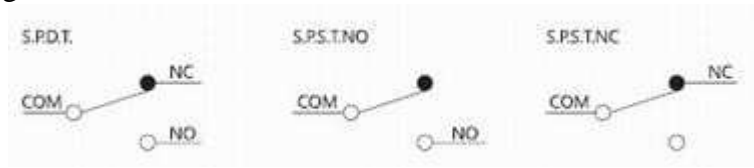


- Operating Frequency (mechanical).....120 operations / mim
- Operating Frequency (electrical).....5A-10~30 operations / mim
- Contact Resistance (initial).....100m  $\Omega$  (Max.)
- Insulation Resistance (at 500VDC).....100M  $\Omega$  (Min.)
- Dielectric Strength (50-60Hz).....1000VAC RMS
- Storage Temperature.....-25°C to 85 °C
- Storage Humidity.....At 40 °C,Max. 85% RH (Max.)
- Service Life (mechanical).....Min. 10000000 operations
- Service Life (electrical).....5A-Min. 10000 operations

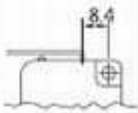


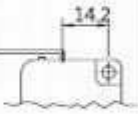





Application :

Joystick,TV Game,Time Recorder,Gaming Device,Air Conditioner,Food Processor,Juice Maker,Alarm,Mixer,Shredder Machine

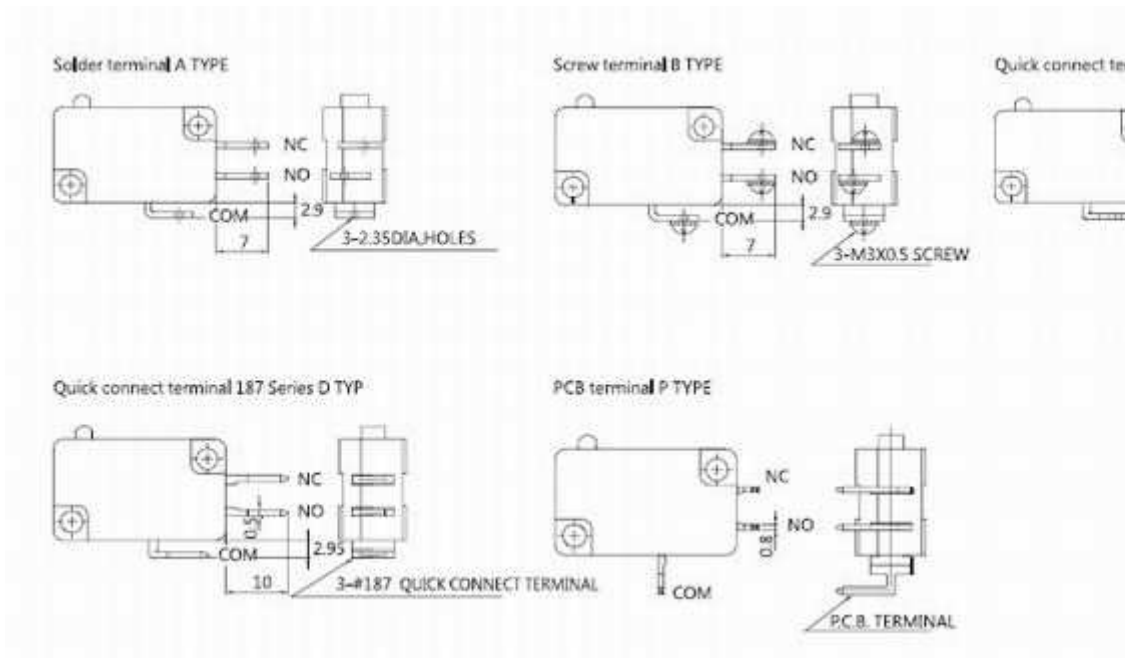
Contact Configuration :



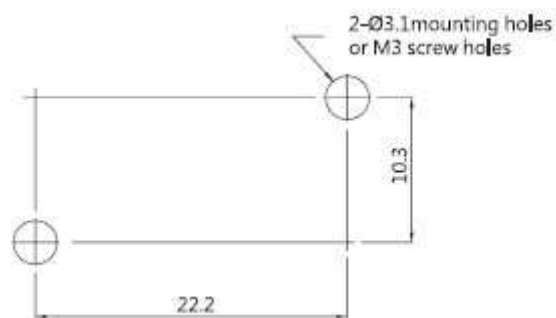
Ordering Information :

SERIES PREFIX	CODE	RATING CURRENT	CODE	OPERATING FORCE	CODE	ACTUATOR TYPE	CODE	TERMINAL TYPE
V	M	05	L	03	D			
	P1	0.1A;125/250 VAC	B		00		A	SOLDER TERMINAL (A)
	05	5A;125/250 VAC	L		01			B
			D		02			C
			F		03			D
			S	04		P		PCB SERIES (P)
			Q	05				
			H	06				
			A					
			K					
			C					
			E					
			R					
			P					
			G					

Terminal Types :



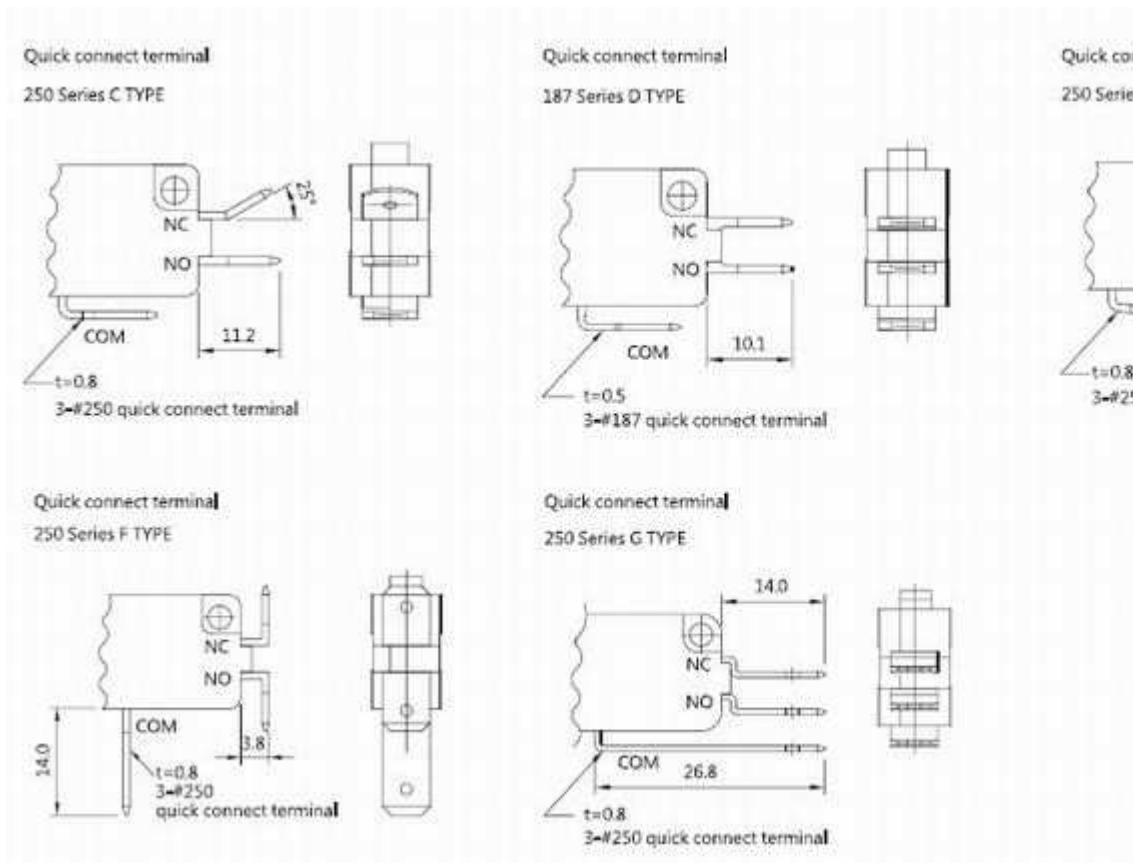
Mounting Holes :



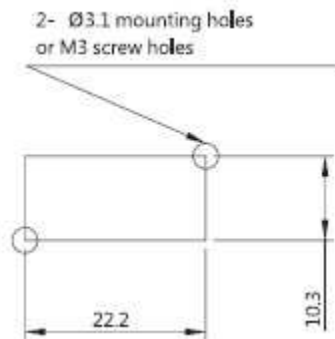
The Selection of Rating & Force :

MODEL	Rating	B	L	D	F	S	Q	H
VM	0.1A	*	*	*	*	*	*	*
	5A				*	*	*	*

NOTE : The Symbol " \* " to represent the result is accepted



Mounting Holes :



The Selection of Rating & Force :

MODEL	Rating	D	J	L	S	H	Q
VA1	0.1A	*	*	*	*	*	
	3A	*	*	*	*	*	
	6 A	*	*	*	*	*	
	10 A		*	*	*	*	
	16 A		*	*	*	*	
	20A					*	
	26A						*

NOTE : The Symbol " \* " to represent the result is accepted

