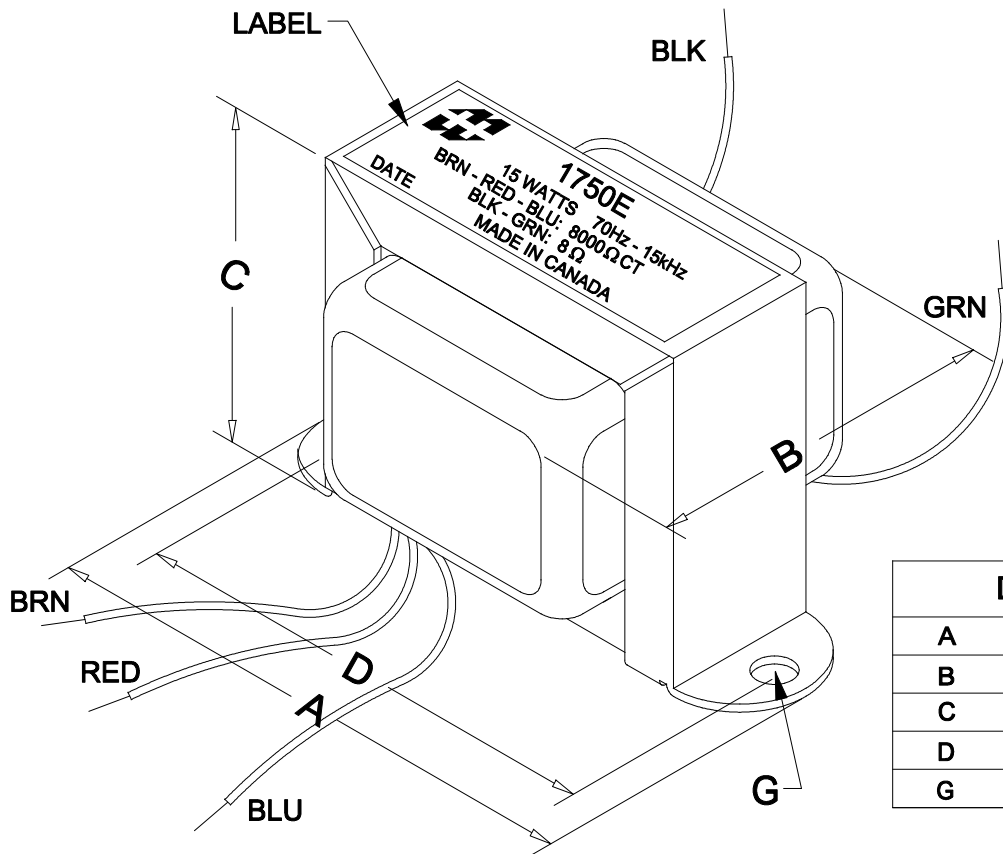
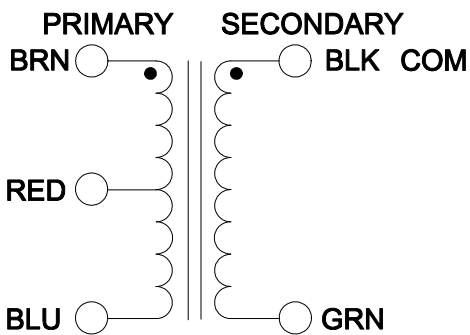


1750E



DIMENSIONS:	
A	3.250" ±0.063
B	2.085" ±0.125
C	1.995" ±0.063
D	2.813" ±0.063
G	0.187" ±0.015

NOTE: ALL LEADS 9" LONG MIN.



ELECTRICAL DATA:	
Turns ratio:	31.91 : 1
Inductance	@240V, 70Hz => 136.42H (Open circuit)
DCR	@ 20C, BLU-RED = RED-BRN = 150Ohm ±20%
	@ 20C, BRN-BLU=300Ohm ±20%
	@ 20C, BLK-GRN=0.450Ohm ±20%
FREQ. RESP	@15W(346.3V), 70Hz-15kHz, BRN-BLU ±1db (Ref. 1kHz)
Pri. Impedance	8000Ohm (346.3V) CT
Sec. Impedance	80hm (10.95V@1.37A)
Power	15 WATTS



**HAMMOND  
ELECTRONICS**

TITLE		1750E	
			DR BY IOAN POP
0	05/11/09	PRELIMINARY.	I.P. DATE 05/11/09
NO	DATE	REVISION	DIM IN(X)MM( )

1750E