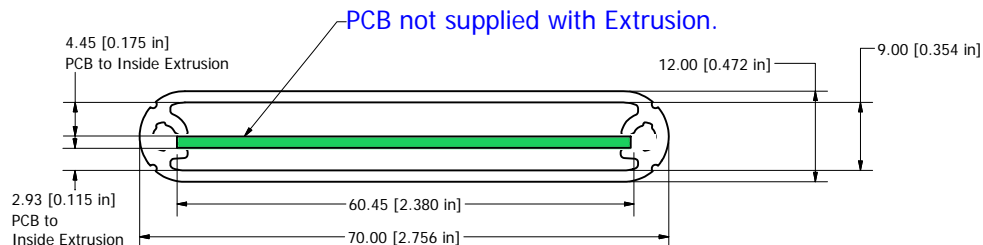
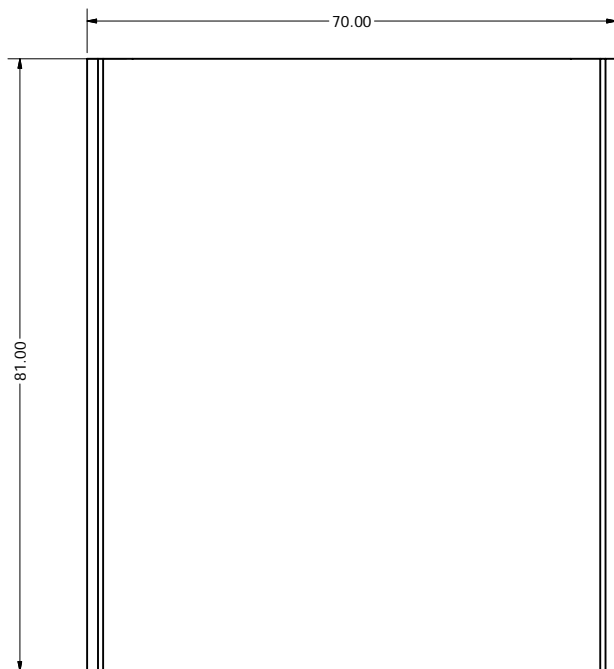


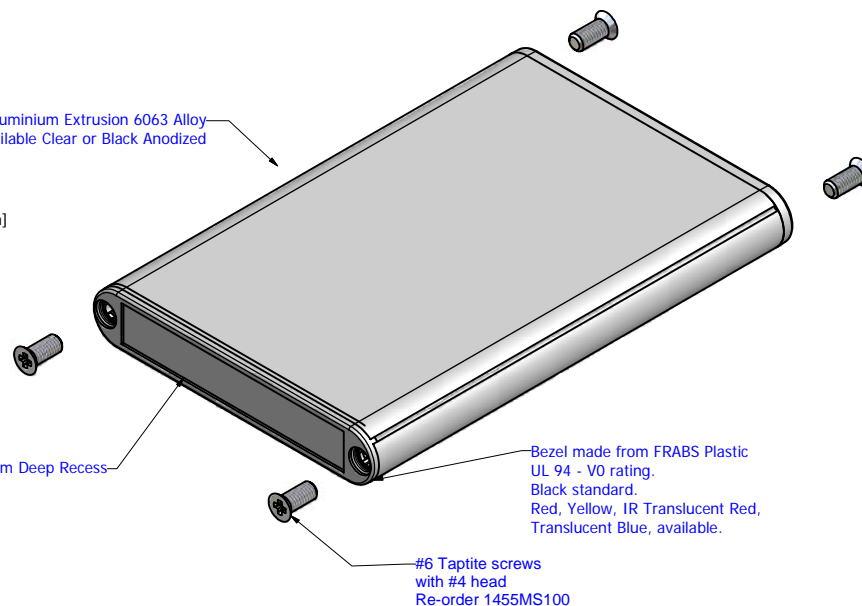
Extrusion



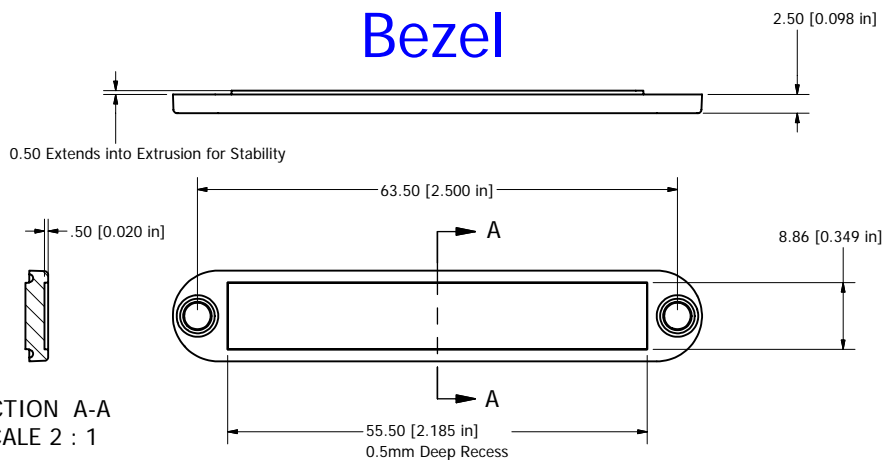
Extrusion designed for 60mm wide x 80mm long PCBs.



Aluminium Extrusion 6063 Alloy
Available Clear or Black Anodized



Bezel



Milling, Drilling, Printing.
Modified Enclosures Supplied Quickly and Accurately.
Consult factory for Price and Delivery.

3D Models for product design in Step and Iges Available
Consult Factory

**HAMMOND
MANUFACTURING™**

1455A802

www.hammondmfg.com