

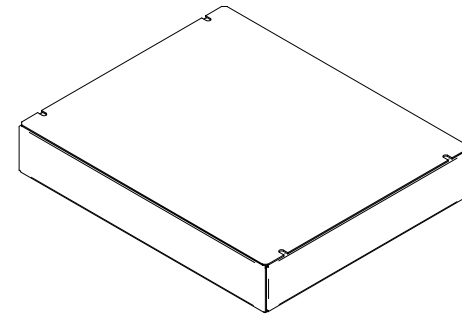
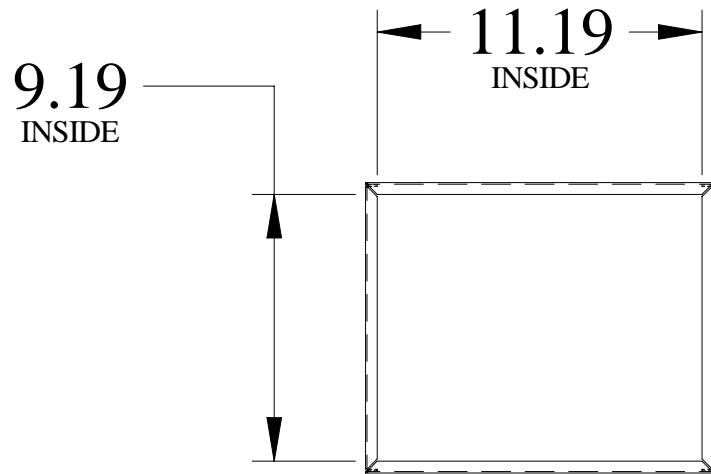
PART No. 1444-29

for more information visit

www.hammondmfg.com

Data subject to change without notice

ISOMETRIC VIEW NOT TO SCALE



LID REMOVED FOR CLARITY

