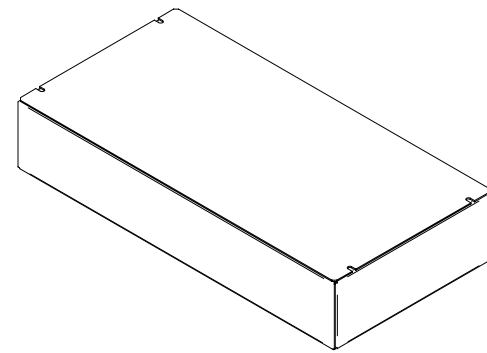
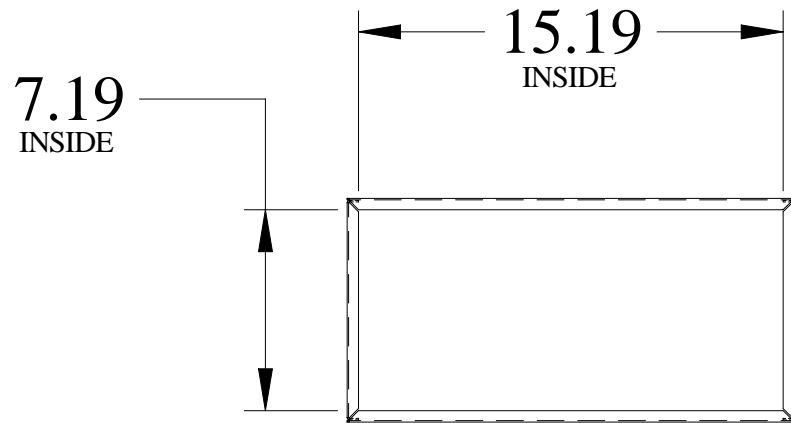


# PART No. 1444-28

for more information visit  
[www.hammondmfg.com](http://www.hammondmfg.com)

Data subject to change without notice

ISOMETRIC VIEW NOT TO SCALE



LID REMOVED FOR CLARITY

