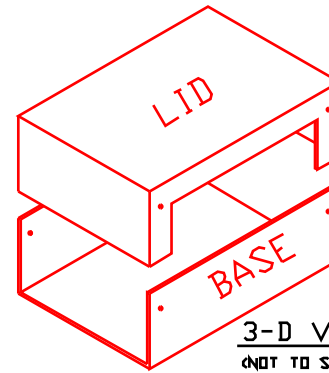


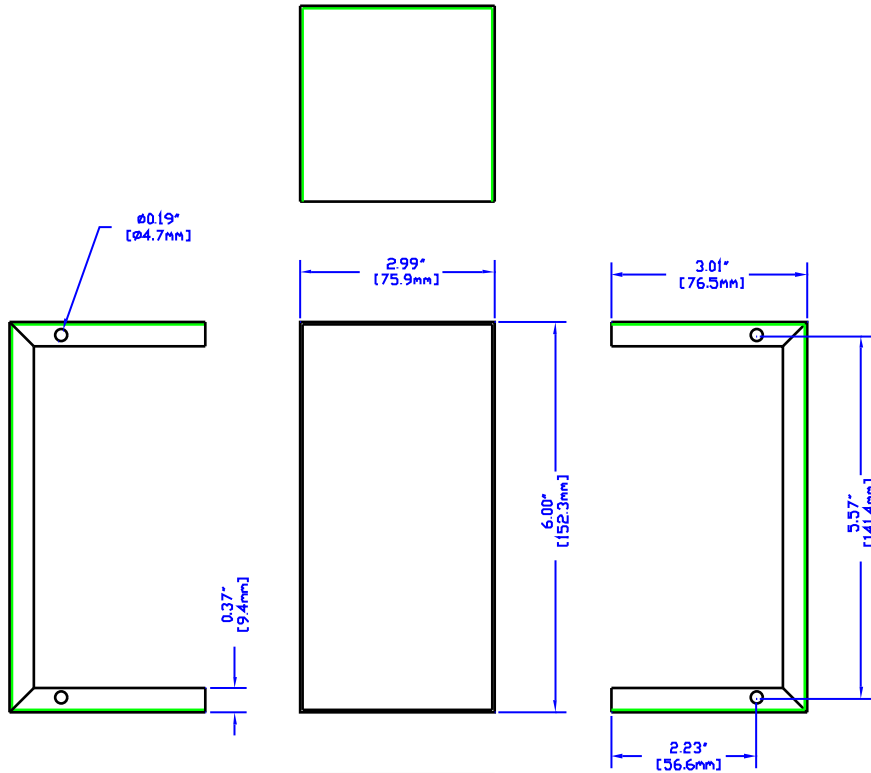
NOTES

MATERIAL - 0.040" THICK ALUMINUM
 - #6 x 1/4" SELF TAPPING SCREWS

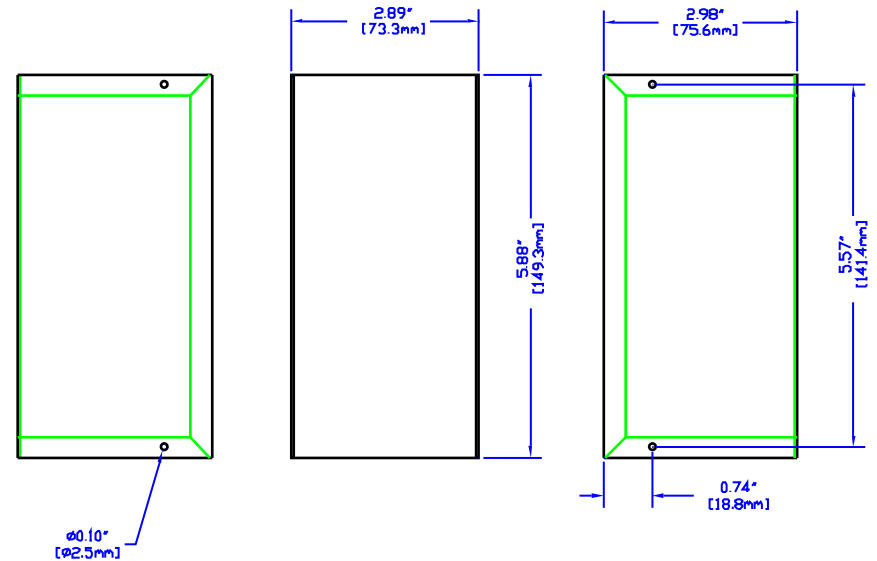
** 1411M - FINISHED ASA 61 GREY
 1411MU - UNFINISHED



3-D VIEW
 (NOT TO SCALE)



VIEW OF LID (INSIDE)



VIEW OF BASE (INSIDE)



HAMMOND MANUFACTURING

1411M-Handy Case

website: www.hammondmfg.com