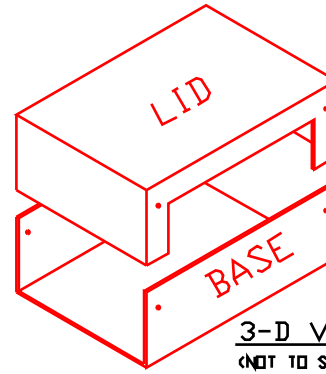


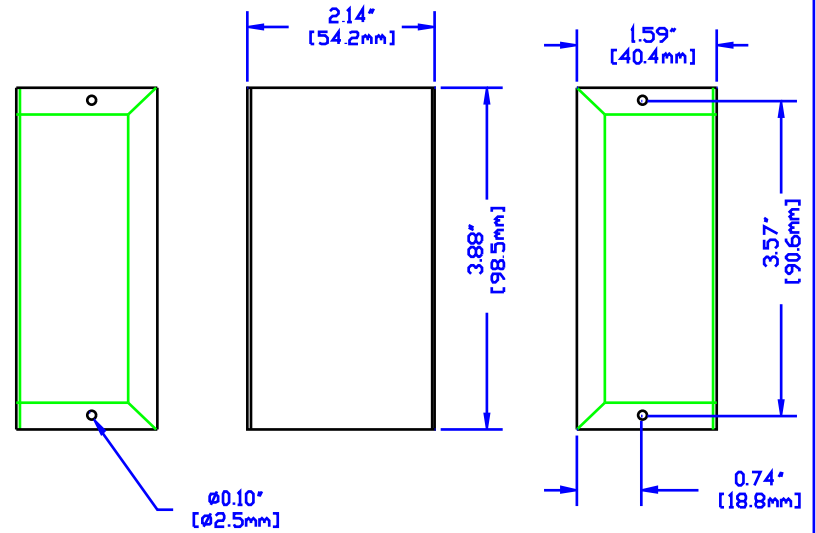
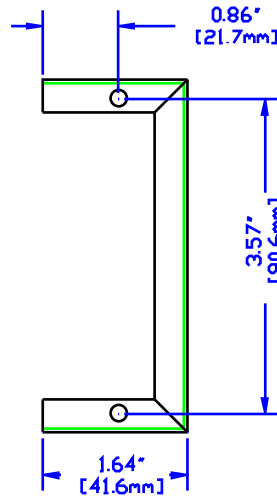
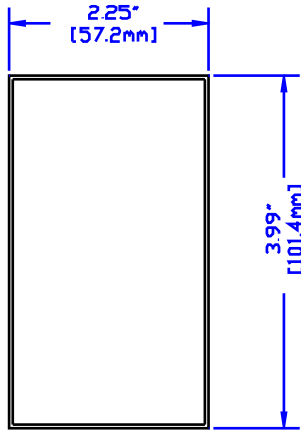
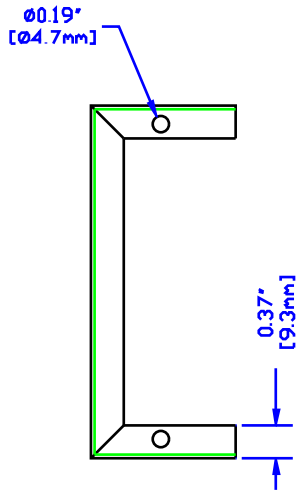
NOTES

MATERIAL - 0.040" THICK ALUMINUM  
- #6 x 1/4" SELF TAPPING SCREWS

\*\* 1411G - FINISHED ASA 6I GREY  
1411GU- UNFINISHED



3-D VIEW  
(NOT TO SCALE)



VIEW OF BASE (INSIDE)

VIEW OF LID (INSIDE)



HAMMOND MANUFACTURING

1411G—Handy Case

website: [www.hammondmfg.com](http://www.hammondmfg.com)