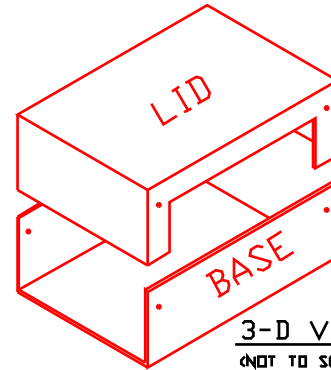


NOTES

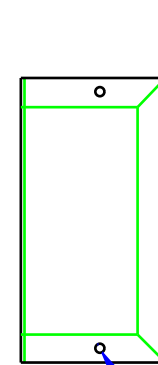
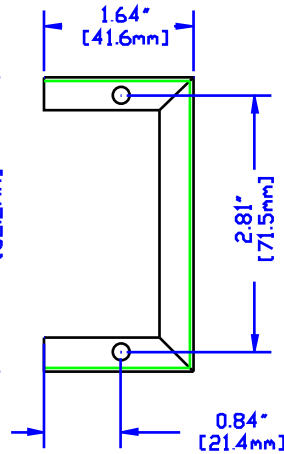
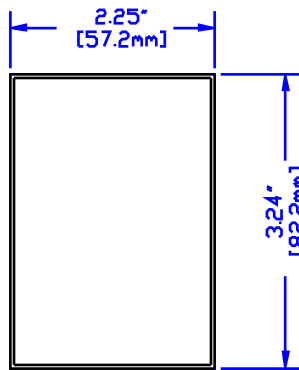
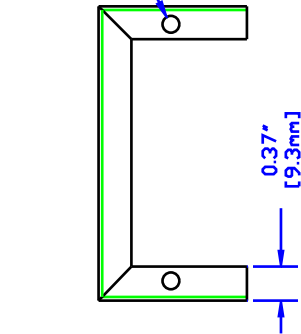
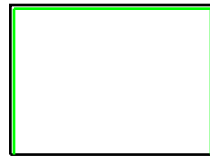
MATERIAL - 0.040" THICK ALUMINUM
- #6 x 1/4" SELF TAPPING SCREWS

** 1411D - FINISHED ASA 61 GREY
1411DU - UNFINISHED

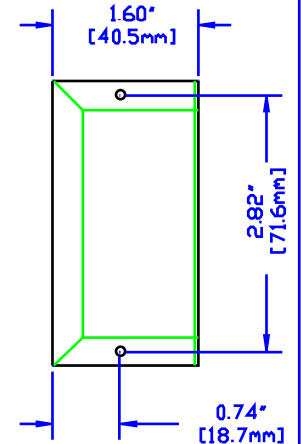
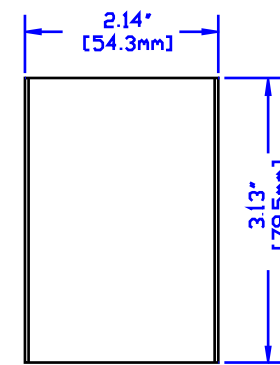


3-D VIEW
(NOT TO SCALE)

Ø0.19"
[Ø4.7mm]



Ø0.10"
[Ø2.5mm]



VIEW OF BASE (INSIDE)

VIEW OF LID (INSIDE)



HAMMOND MANUFACTURING

1411D-Handy Case

website: www.hammondmfg.com