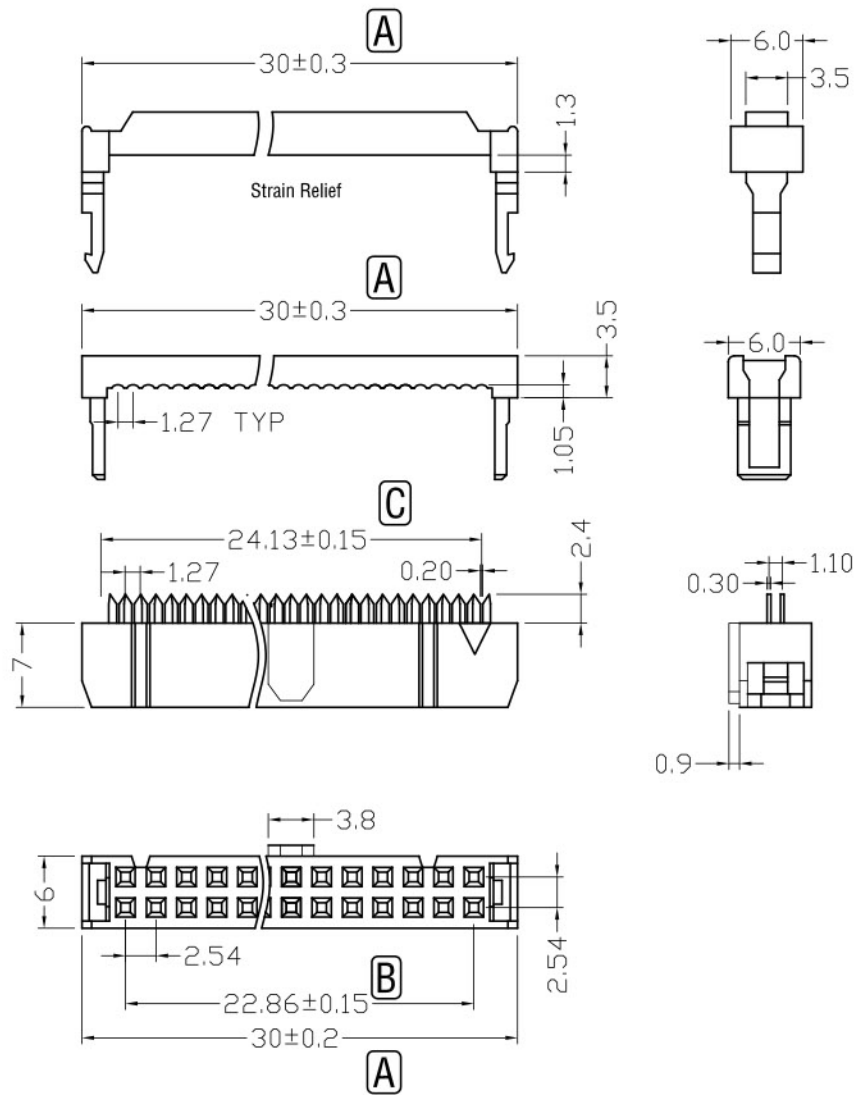


序号 /RevNo.	名称 /Title	文件编号 /File No.
1	塑件主体	QJ/XYT-11113
2	端子	QJ/XYT-11114
3	中盖	QJ/XYT-11112
4	反折盖	QJ/XYT-11111



Specifications:

Contact Resistance: $30\text{m}\Omega$ max.at DC 100 mA
 Insulator Resistance: $1000\text{M}\Omega$ min.at DC 500V
 Current Rating: 2AMP

Dielectric Withstanding

Voltage: AC 1000V /rms 50Hz For 1 minute

Operating Temperature: -55°C -- $+105^{\circ}\text{C}$

Contact: Brass Ni Plated

Housing: PBT &30% Glass Fiber(UL 94V-0),Black

Dimension

Position	A	B	C	Order
06	12.22	5.08	6.35	
08	14.76	7.62	8.89	
10	17.30	10.16	11.43	
12	19.84	12.70	13.97	
14	22.38	15.24	16.51	
16	24.92	17.78	19.05	
18	27.46	20.32	21.59	
20	30.00	22.86	24.13	yes
22	32.54	25.40	26.67	
24	35.08	27.94	29.21	
26	37.62	30.48	31.75	
30	42.70	35.56	36.83	
34	47.78	40.64	41.91	
40	55.40	48.26	49.53	
50	68.10	60.96	62.23	
60	80.80	73.66	74.93	
64	85.88	78.74	80.01	

要求:

1. 塑料件无裂痕。
2. 整排端子成一直线，相邻端子之间相互平行。

设计 /Designed by	绘图 /Drawing by	审核 /Checked by	批准 /Approved by	未注公差 General Tolerance	
				x 0.3	x' 2'
				.x 0.2	.x' 1'
				.xx 0.1	.xx' 0.5'
		图名 /Title	文件编号 /File No.		
		110-20TAK			
		备注 /Remark	页序 /Sheet		
				单位 /Units:	mm