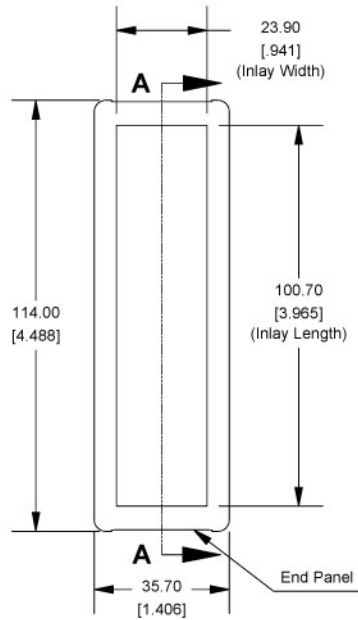
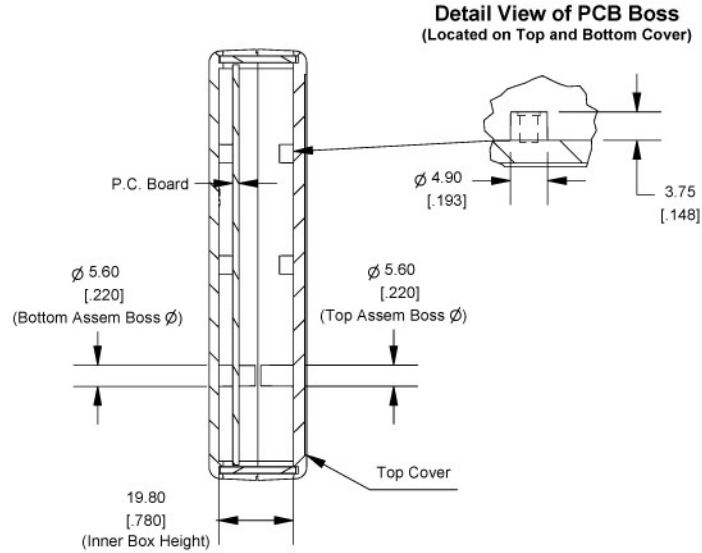


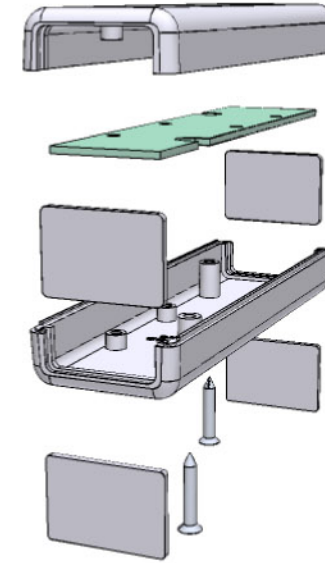
Top View of Assembly



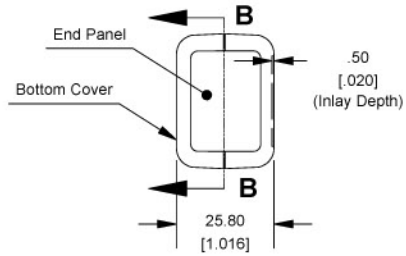
SECTION A-A (Side View Inside Assembly)



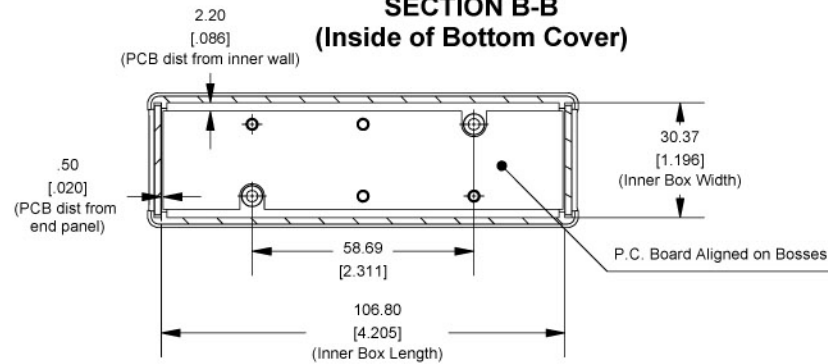
Hand Held Instrument (1593D)



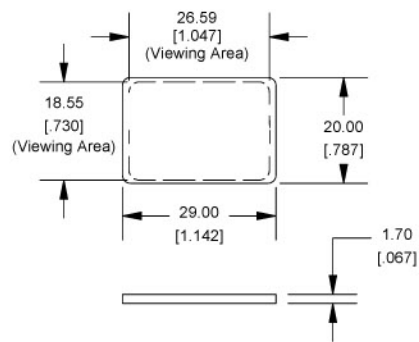
End View of Assembly



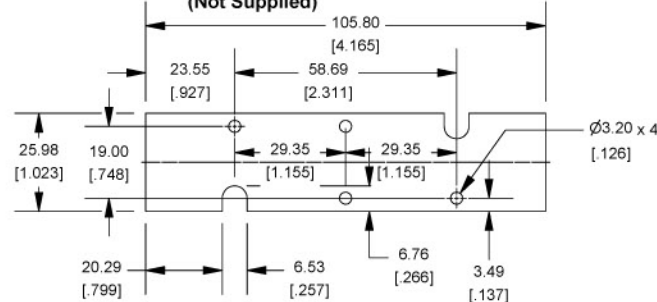
SECTION B-B (Inside of Bottom Cover)



Front/Rear Panel (Dashed Line Indicates Viewing Area)



Maximum P.C. Board Size (Not Supplied)



Enclosures can be Factory Modified (Milling, Drilling, Printing etc.)
Solid models of this enclosure available in STEP or IGES.
Contact Factory mjm@hammondmfg.com

NOTE	
Enclosure molded from GP ABS (UL94-HB) plastic.	
Purchased assembly includes top and bottom cover, front and rear plastic panels (2 types - flat and contoured) and 2 cover screws.	

PART NUMBERS	
1593D Enclosure	
Black Enclosure	1593DBK
Grey Enclosure	1593DGY
ACCESSORIES	
Cover Screws (Pkg 100) [#4 x 3/4" self-tapping oval head (19.1mm)]	1593QS100 (Silver) 1593QS100BK (Black)
P.C. Board Screws [#4 x 1/4" self-tapping (6.4mm)]	1593ATS50 (Pkg 50) 1593ATS100 (Pkg 100)
Belt or Pocket Clip	1599CLIP (Black) 1599CLIPGY (Grey)
Infrared Panels (Pkg 10)	1593DIR10

HAMMOND MANUFACTURING™
1593D
www.hammondmfg.com