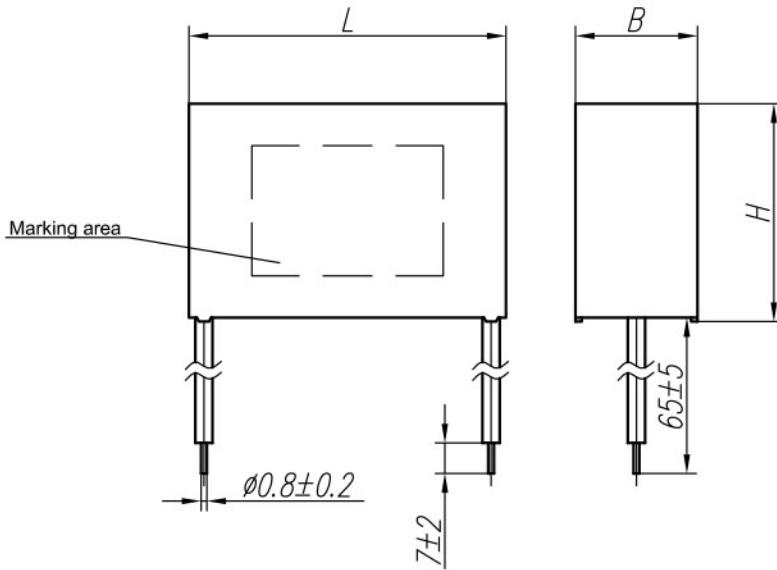
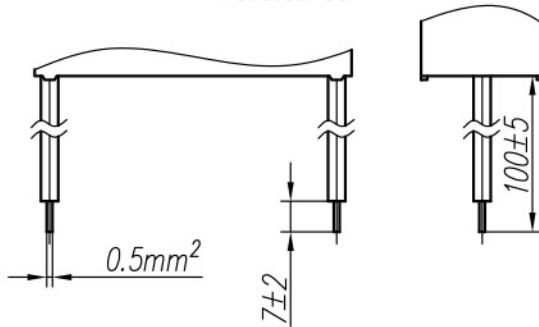


AC METALLIZED POLYPROPYLENE FILM CAPACITORS FOR MOTOR APPLICATIONS

Version 02



Version 03

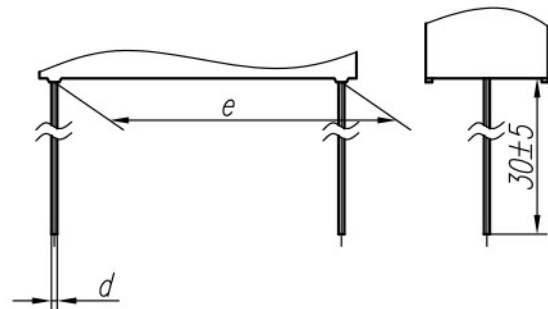


Capacitor dimensions

| Rated Capacitance μF | Dimensions | | | | | | |
|------------------------------------|-----------------|-----------------|-----------------|-------------------|-------------------|----|----|
| | $B \pm 1$ mm | $H \pm 1$ mm | $L \pm 1$ mm | ver. 04 | | | |
| | | | | $d \pm 0.2$ mm | $e \pm 0.5$ mm | | |
| 0.5 | 11.5 | 20.5 | 31.5 | 0.8 | 27.5 | | |
| 0.68 | | | | | | | |
| 1 | | | | | | | |
| 1.5 | 16 | 28.5 | 41.4 | | 37.5 | | |
| 2 | | | | | | | |
| 2.5 | | | | | | | |
| 3 | 17.9 | 33 | 42.1 | 1 | | 38 | |
| 3.5 | | | | | | | |
| 4 | | | | | | | |
| 4.5 | 21 | 38 | 42.1 | | 1 | | 38 |
| 5 | | | | | | | |
| 5.5 | | | | | | | |
| 6 | | | | | | | |

Other lengths of leads as well as other dimensions of capacitors and other capacitances from the given range are available at the customer's request.

Version 04



TECHNICAL DATA:

- Capacitance tolerance:
 - $\pm 5\%$; $\pm 10\%$,
 - Rated voltage U_R :
 - 400V / 450V / 50Hz,
 - Climatic category:
 - 25/85/21 / 400V~ acc. to PN-EN 60068-1,
 - 25/70/21 / 450V~ acc. to PN-EN 60068-1,
 - Tangent of the loss angle at 1V / 1kHz:
 - $\leq 0,001$
 - Rated temperature:
 - $+85^\circ\text{C}$ / 400V~,
 - $+70^\circ\text{C}$ / 450V~,
 - Dielectric strength between terminals:
 - $2 U_R - 60\text{s}$,
 - Case:
 - plastic,
 - Terminals:
 - version 02 - Cu wire, tinned in PCV insulation
 - version 03 - Cu stranded wire in PVC insulation, with tinned tip
 - version 04 - Cu wire, tinned
 - Application class:
 - C (3000h) 400V~,
 - D (1000h) 450V~,
 - Safety class:
 - P0,
 - The capacitors meet the requirements of:
 - PN-EN 60252-1.
- This product fulfils the requirements of the RoHS Directive (2002/95/EC).

Revision date
18.07.2008