



Released date 2010/09/21

Revised date 2020/07/14

Category Pedal Switch/ Foot Switch

Model FS-2

Name Mini Foot Switch (Front Push , Plastic type)

PDF [DOWNLOAD](#) 

CAD [DOWNLOAD](#) 

Specification

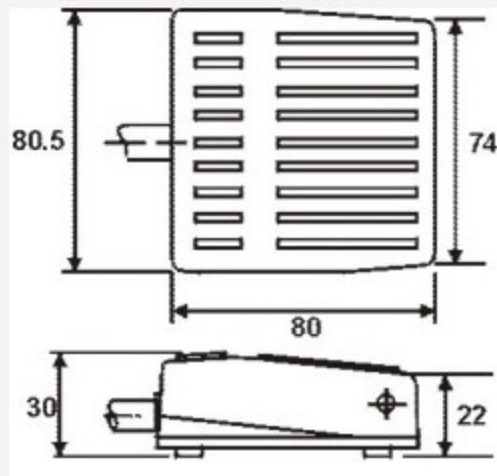
FS-2, Front Push, 10A Momentary micro switch, A meter of 0.5mm 3C wires.

Rating: 10A250VAC,1C(SPDT)

*New type of ON-OFF-ON Foot Switch.

Rating: 6A250VAC,1A

Dimensions



Related products

FS-H3
Z5

FS-1

FS-2

FS-3

FS-4

FS-5

FS-Z3

FS-Z4

FS-