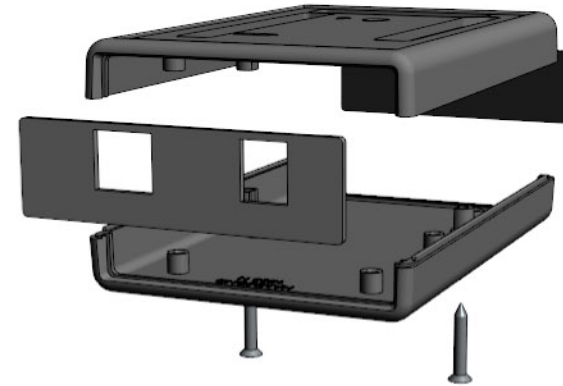
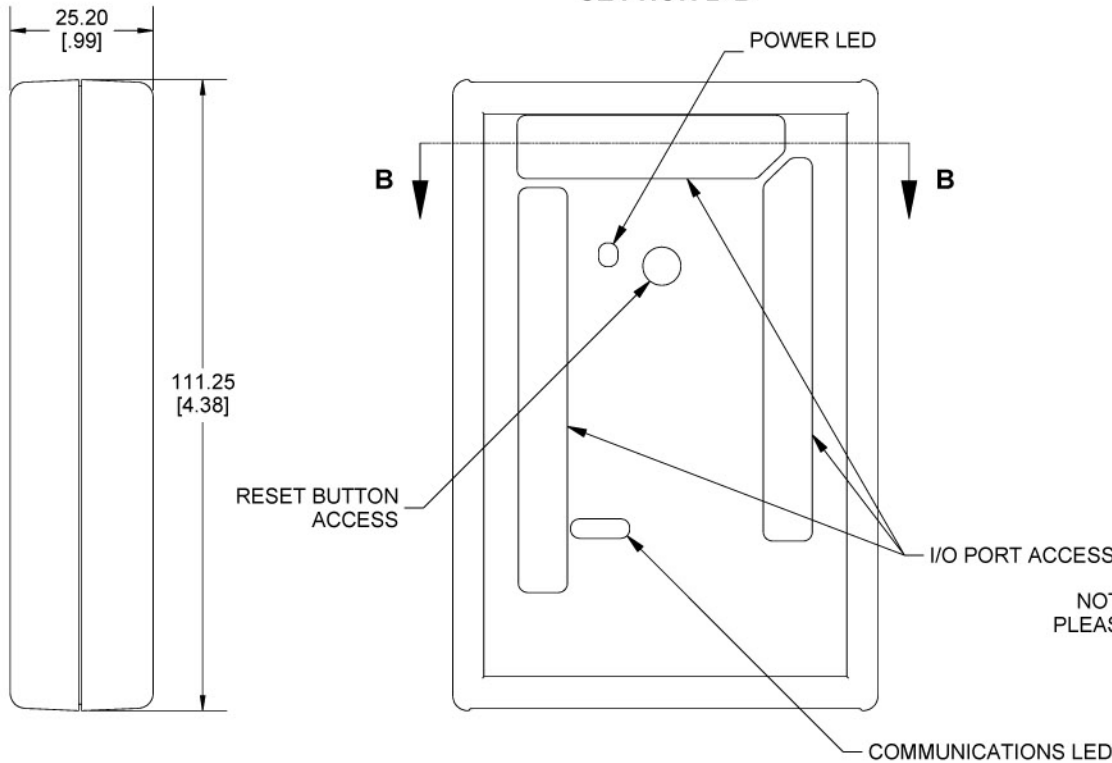


SECTION B-B

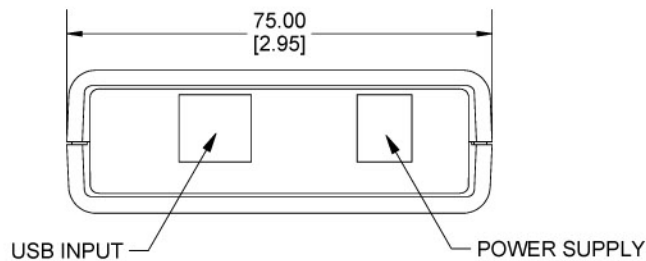


NOTE: 1593MEG ENCLOSURE IS BASED ON HAMMOND STANDARD 1593N
 PLEASE SEE 1593N DRAWING FOR STANDARD ENCLOSURE SPECIFICATIONS

NOTE

Purchased assembly includes top and bottom cover, front and rear end panels, 2 cover screws, and 1 black rubber foot (P.C. Board not included)
 Enclosure molded from ABS Plastic.

ASSEMBLY - VIEW FROM TOP SIDE



PART NUMBERS

1593HAMMEG Enclosure

Black Enclosure	1593HAMMEGBK
Grey Enclosure	1593HAMMEGGY
Translucent Blue Enclosure	1593HAMMEGTBU



Dimensions:
 mm
 [inches]