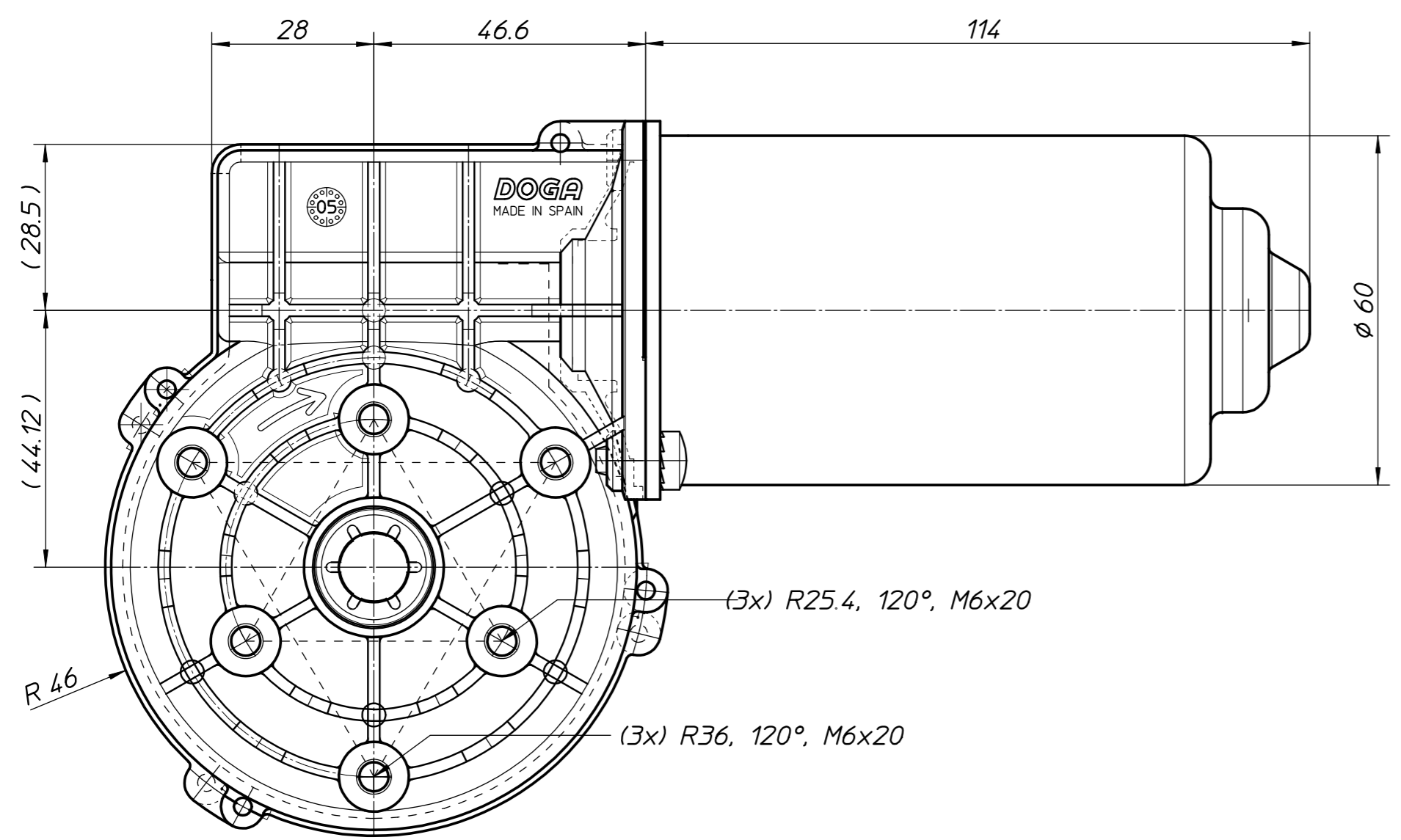
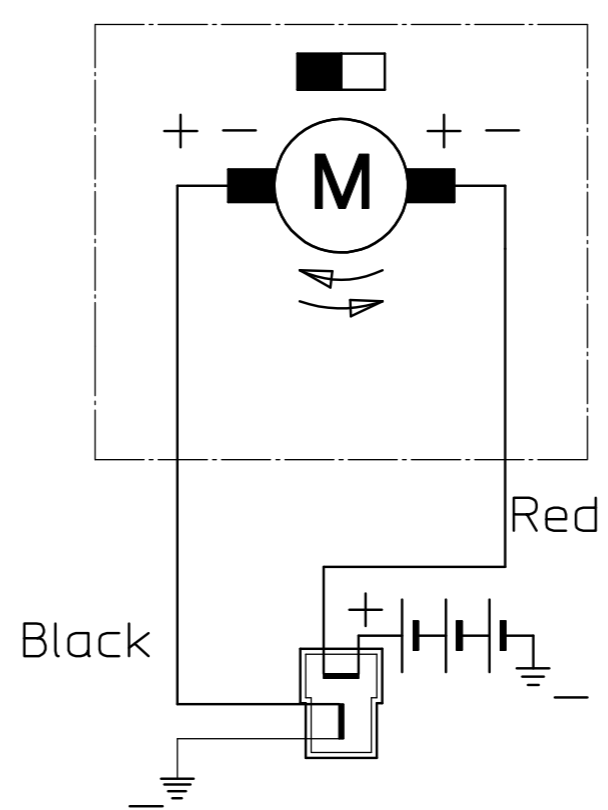


DETAIL SHAFT END  
WITHOUT CLAMP  
Scale 2:1

Red	Black	Sense of rotation
+	-	
-	+	



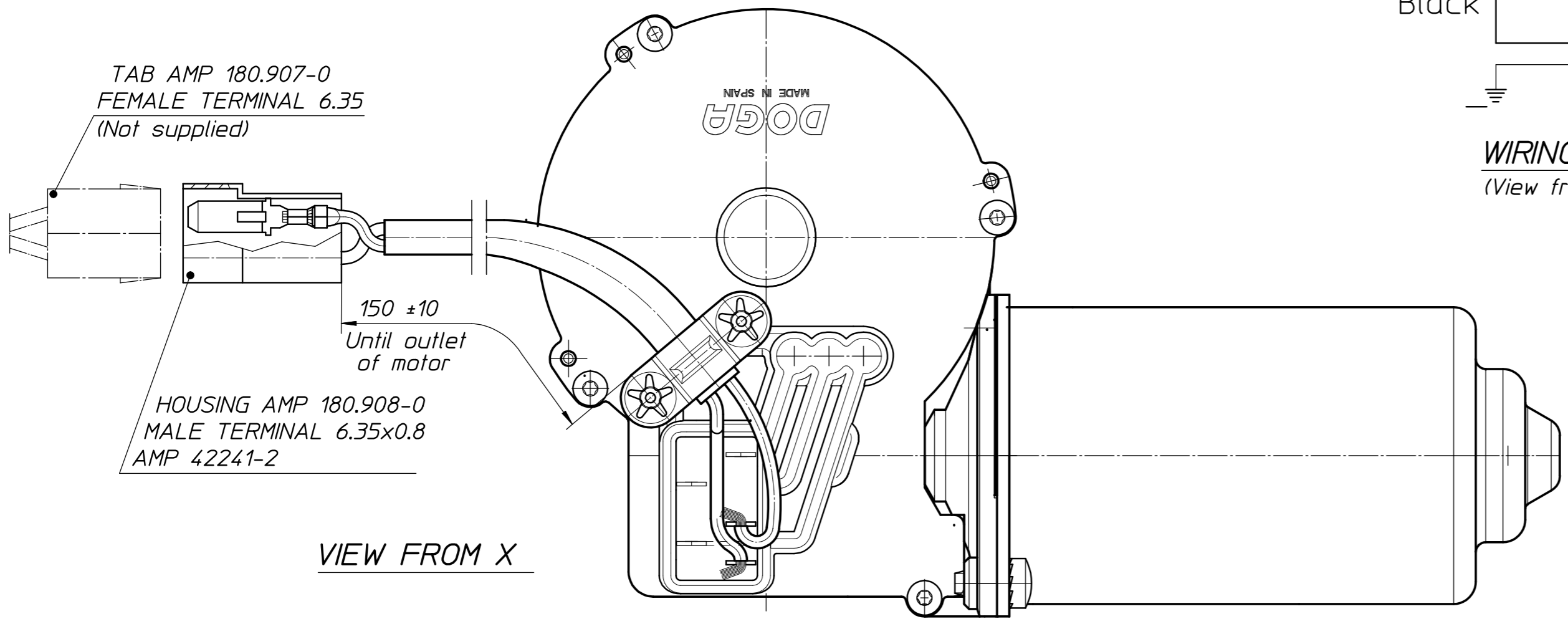
MOTOR P/N	V
319-3860-20-00	12
319-3860-30-00	24



WIRING DIAGRAM  
(View front connector)

MOTOR PERFORMANCE TYPE 319						
NO LOAD PERFORMANCE				Starting torque	Nominal Torque	Testing voltage
Speed	V	Current	Rpm.			
n1	12	≤ 1.7 A	34 ± 3	50 Nm	9 Nm	13 V
n1	24	≤ 1.2 A	34 ± 3			26 V

MODIFICACIONES MODIFICATIONS	COORD.



VIEW FROM X

CLIENTE CUSTOMER	REF. CLIENTE CUSTOMER PART No.	VEHICULO VEHICLE	<p>LMPIAPARABRISAS - COMPONENTES DE AUTOMOCION WINDSHIELD WIPERS - AUTOMOTIVE COMPONENTS</p>
20-06-08			
MATERIAL	PESO WEIGHT		ME10
TRATAMIENTO / ACABADO TREATMENT / FINISH			
TOL.GENERALES GENERAL TOL.	SUSTITUYE A: REPLACES:	REFERENCIA PART No.	MOD
0.2	SUSTITUIDO POR: REPLACED BY:	PCL	319-3860-0-00
0.1	DENOMINACION NAME		
0.2	MOTOR ROTATIVO Mod. 319, GAMA C.C		ESCALA SCALE
±2'	ROTARY MOTOR Model 319, RANGE D.C.		1:1
>400 <-1000 +2	ARCHIVOS DATA FILES	MODEL DRAWING	TAMARO D. SIZE
>120 <-400 +1			A2
>30 <-120 +0.5			HOJA SHEET
>6 <-30 +0.3			1
<-6 +0.3			DE OF
<-6			1

La informacion contenida en este documento es estrictamente confidencial, y propiedad de DOGA, S.A. Queda estrictamente prohibido cualquier uso no autorizado. Cualquier negligencia o infraccion se resolvera mediante procedimiento legal, a efectos de proteccion de datos. The information breifed in this document is strictly confidential, and property of DOGA, S.A. Any use not specifically authorized is strictly prohibited. Any negligence or infracion will be solved by means of legal procedure, with the object of data protection.