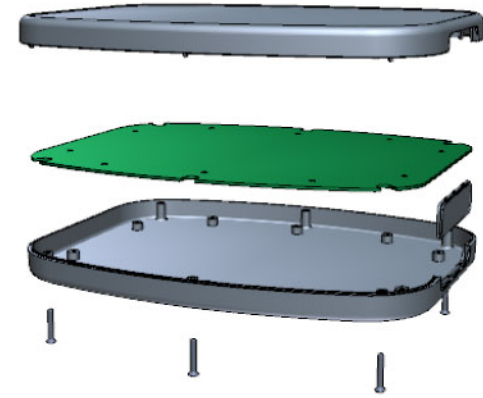
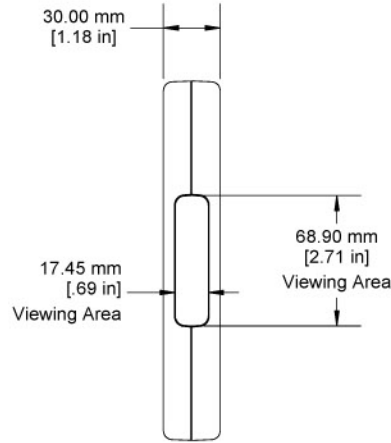
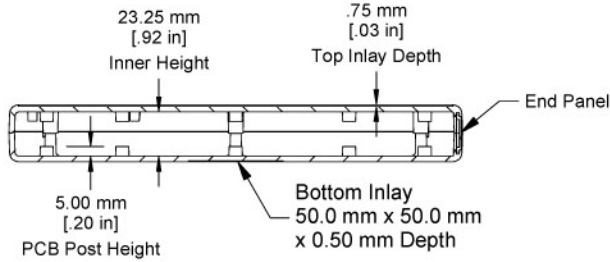


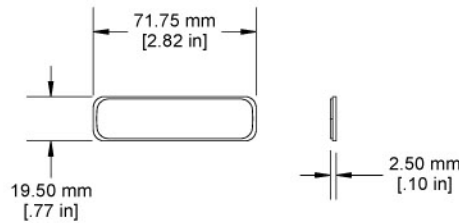
**End View of Assembly**



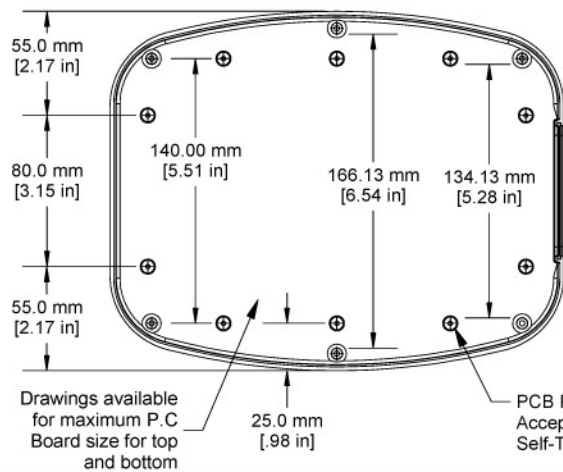
**SECTION A-A  
(Side View of Assembly)**



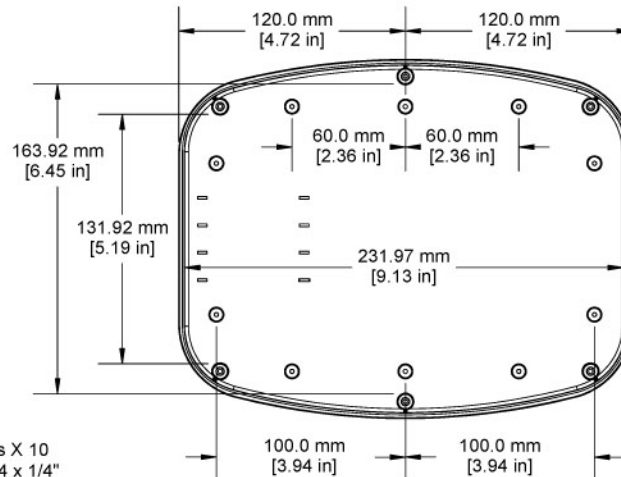
**Removable Panel**



**Inside View Bottom**



**Inside View Top**



Enclosures can be Factory Modified ( Milling, Drilling, Printing etc.)  
 Contact Factory [mjm@hammondmfg.com](mailto:mjm@hammondmfg.com) for quotes  
 Solid models of this enclosure available in STEP or IGES.

NOTE	
Enclosure molded from FR ABS (UL94-V0) plastic.	
Purchased assembly includes top and bottom cover, 1 removable panel and 6 cover screws (M3-0.5 x 18mm) . M3 Brass inserts are installed for cover screws. (P.C. Board not supplied)	
PART NUMBERS	
1599TABL Enclosure	
Black Enclosure	1599TABLBK
Grey Enclosure	1599TABLGY
ACCESSORIES	
Replacement Cover Screws (Pkg 100)	1594MS100 (Silver) 1594MS100BK (Black)
P.C. Board Screws	1593ATS50 (Pkg 50) 1593ATS100 (Pkg 100)

**HAMMOND  
MANUFACTURING™**

**1599TABL**

[www.hammondmfg.com](http://www.hammondmfg.com)