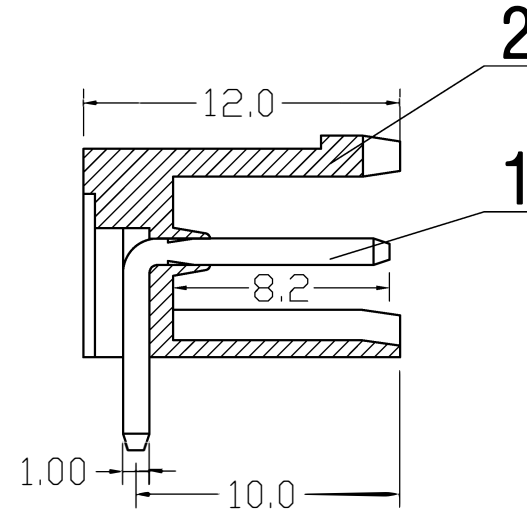
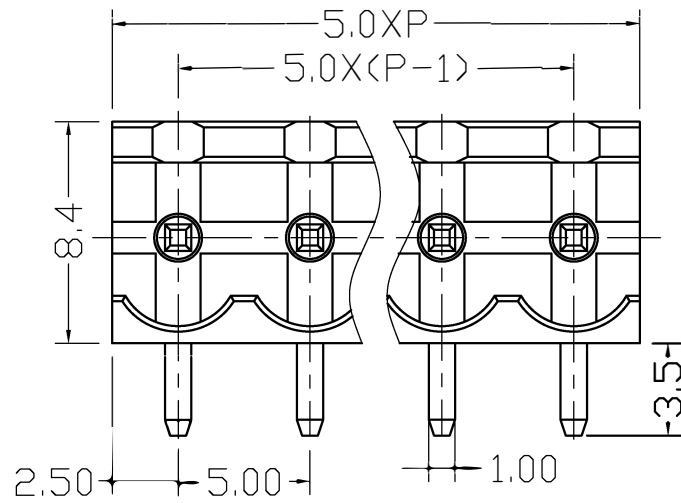


序号 / RevNo	名称 / Title	文件编号 / File No.
1	XY2500R 端子	QJ/XYT-2180301
2	XY2500 A 塑件	QJ/XYT-2180102



**300V 15A**

Poles: 2P-24P

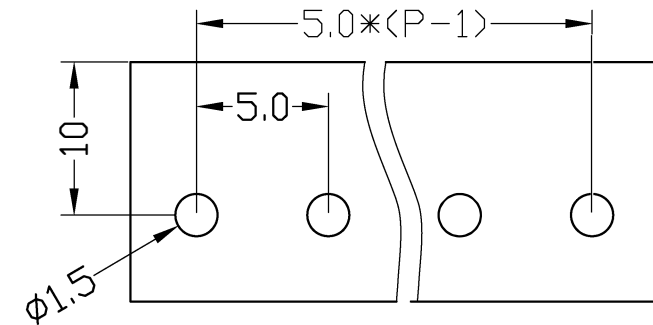
Pitch: 5.0mm

Pin Dimension: 1.0X1.0mm

## Materials

Housing: PA66(UL 94V-0)

Solder Pin: Brass, Tin Plated.



PCB LAY OUT

设计 / Designed by	绘图 / Drawing by	审核 / Checked by	批准 / Approved by	未注公差 General Tolerance	
				x ± 0.2	x' ± 2'
				.x ± 0.1	.x' ± 1'
				.xx ± 0.05	.xx' ± 0.5'
				.xxx ± 0.01	
图名 / Title				文件编号 / File No.	
XY2500R-A				QJ/XYT-2280300	
产品图				页序 / Sheet	
备注 / Remark				单位 / Units: mm	