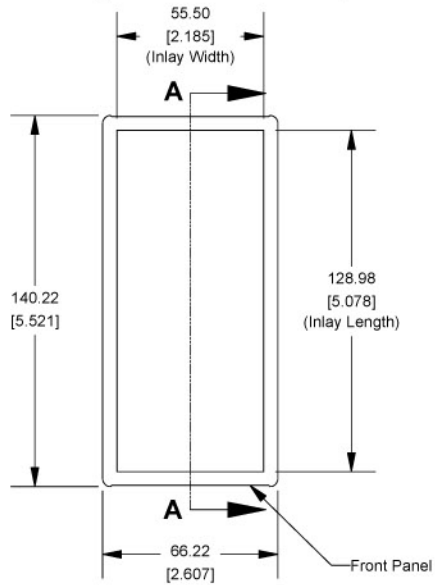
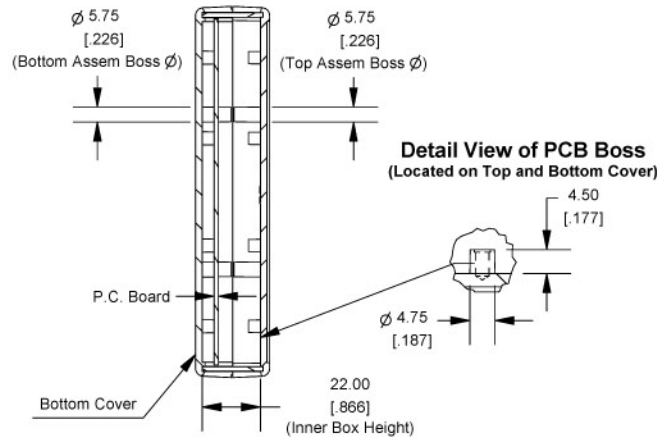


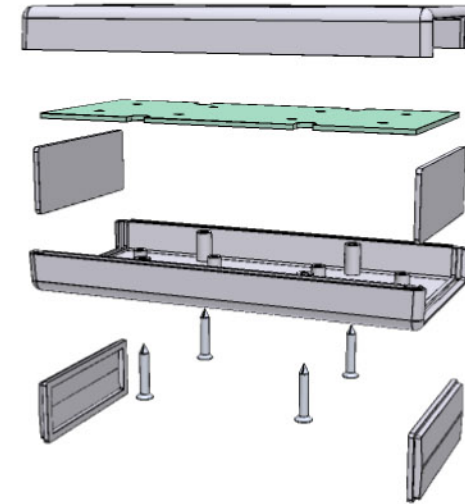
Top View of Assembly



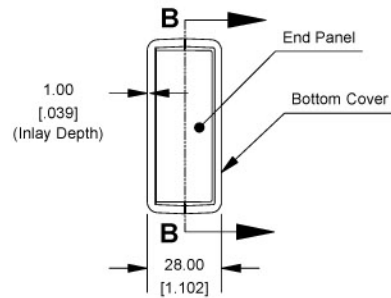
SECTION A-A (Side View Inside Assembly)



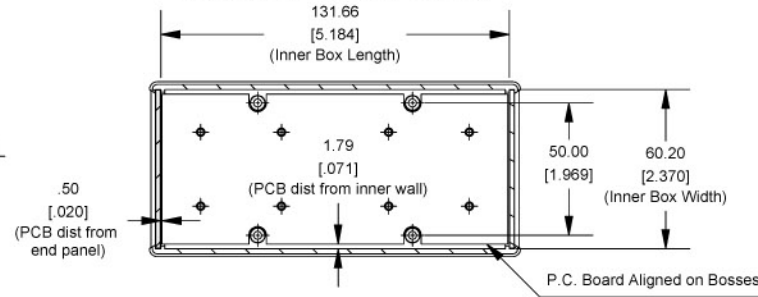
Hand Held Instrument (1593X)



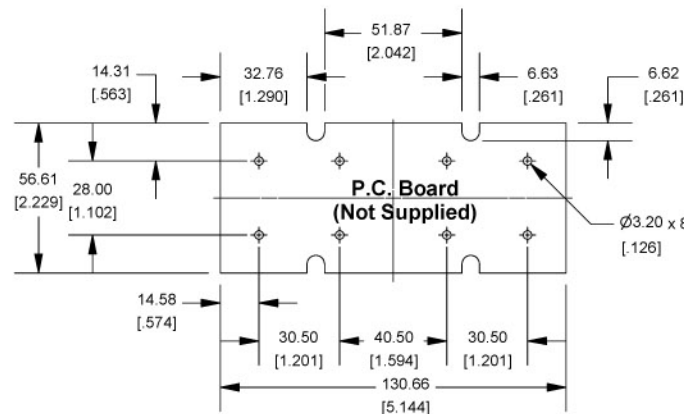
End View of Assembly



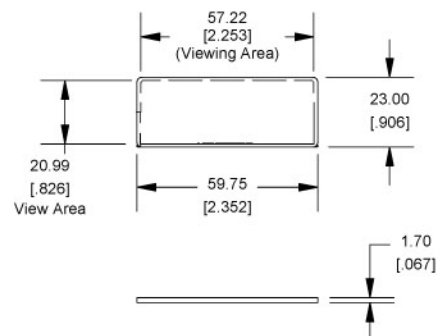
SECTION B-B (Inside of Bottom Cover)



Maximum P.C. Board Size



Front/Rear Panel (Dashed Line Indicates Viewing Area)



Enclosures can be Factory Modified (Milling, Drilling, Printing etc.)
Solid models of this enclosure available in STEP or IGES.
Contact Factory mjm@hammondmfg.com

NOTE

Enclosure molded from GP ABS (UL94-HB) plastic.
Purchased assembly includes top and bottom cover, front and rear plastic panels (2 types - flat and contoured) and 4 cover screws.

PART NUMBERS

1593X Enclosure	
Black Enclosure	1593XBK
Grey Enclosure	1593XGY
ACCESSORIES	
Cover Screws (Pkg 100) [#4 x 3/4" self-tapping oval head (19.1mm)]	1593QS100 (Silver) 1593QS100BK (Black)
P.C. Board Screws [#4 x 1/4" self-tapping (6.4mm)]	1593ATS50 (Pkg 50) 1593ATS100 (Pkg 100)
Belt or Pocket Clip	1599CLIP (Black) 1599CLIPGY (Grey)
Infrared Panels (Pkg 10)	1593DIR10

