

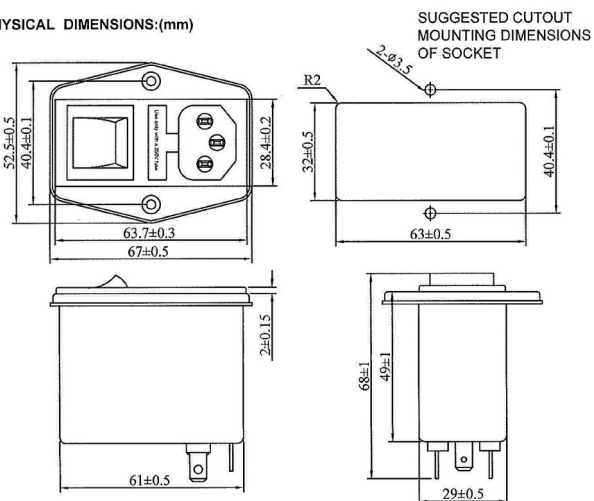
FRP/6A FILTRO DE RED 6A



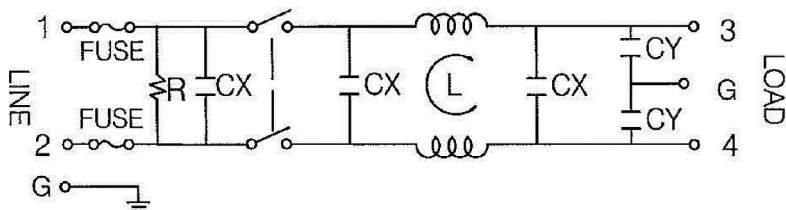
Electrical Characteristics

Rated voltage	125/250 VAC
Rated current	6A
Operating frequency	50/60 Hz
Leak current: each line to ground 250 VAC 50 Hz	0,6 mA max
Hipot rating: (for one minute)	
Line to Line	1.450 VDC
Line to Ground	2.250 VDC
Insulation resistance	250 VDC/100 MΩ min
Direct current resistance	0,2Ω max
Operating temperature	-25 to + 85° C

1. PHYSICAL DIMENSIONS:(mm)



2.SCHEMATIC:



CX : 0.22uF
 CY : 0.0022uF
 L : 2 x 0.8mH
 FUSE 6A