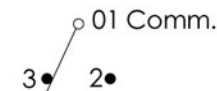


Model No.	TYPE	
A101	ON	MOM
Term Comm.	1-3	1-2

Schematic



SPECIFICATIONS:

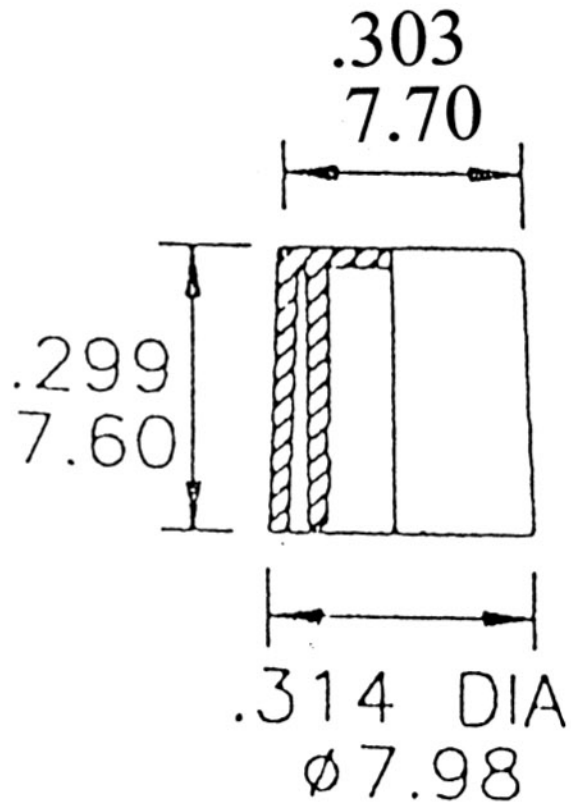
CONTACT RATING : 3 AMPS @ 120 V AC or 28 VDC.
 1 APMS @250 V AC or 0.4VA AMPS @20 V AC or DC
 ELECTRICAL LIFE : 50,000 make-and-break cycles at full load.
 CONTACT RESISTANCE : 10 mΩ max. initial @ 2-4 VDC.
 100 mA, for both coin silver and gold plated contacts.
 INSULATION RESISTANCE : 1,000 MΩ min.
 DIELECTRIC STRENGTH : 1,000 V RMS @ sea level.
 OPERATING TEMPERATURE : -30 °C to 130 °C

MATERIALS:

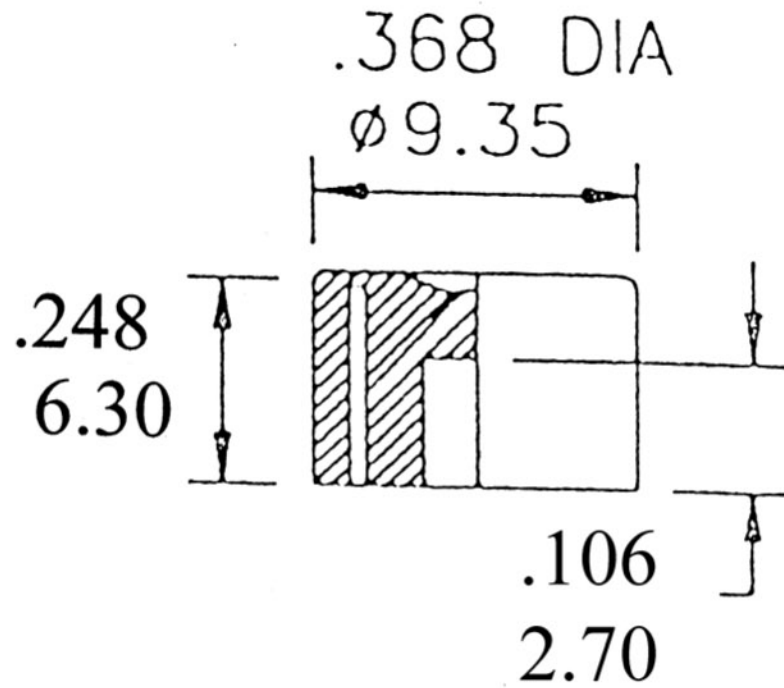
CASE : Diallyl phthalate (DAP)(UL-94V-0).
 PLUNGER : Polybutylene terephthalate (PBT) (UL 94V-0)
 BUSHING : Brass, nickel plated.
 HOUSING : Stainless steel.
 TERMINAL/CONTACT : Brass, with silver or gold plated.
 or gold over silver
 SWITCH SUPPORT : Brass, tin plated.

			TOLERANCE
			XX. ± 0.5
			X. ± 0.2
ITEM NO		DATA	.X ± 0.2
CHECKED BY		DRAWN BY	.XX ± 0.2

C 1



C 2



ITEM NO. A400 CAPS		DATA
CHECRED BY		DRAWN BY